

RICK J. FOSS AND SUSAN M. FOSS
ORV. 2332, PG. 819

S 89°17'17" E 232.54'

0.4915 AC.
QUINTON FOSS AND RICK J. FOSS
ORV. 2204, PG. 768

FRANCES M. AU
ORV. 1692, PG. 416

N 30°36'29" W 148.00'
MOFFET ROAD - (C.H. 371)

S 75°27'46" W 165.52'

THE NE CORNER OF
THE SE 1/4 OF
SECTION 20

THE E. LINE OF THE
SE 1/4 OF SEC. 20

THE SE CORNER OF
THE SE 1/4 OF
SECTION 20

98.00'

REF=0.13'

83.00'

N 02°06'41" W 2683.84'

P.O.B.

REF=0.28'

N 02°06'41" W 2502.85'

NEW SURVEY
OF EXISTING PARCEL
RICHLAND COUNTY
TAX MAP OFFICE

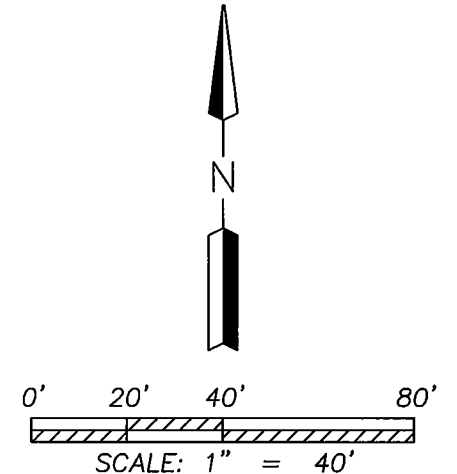
EAK 10-15-15
INITIAL DATE
HH-267

Distances shown hereon are expressed in feet and decimal parts thereof.

Bearings are to an assumed meridian and are used to express angles only.

CERTIFICATION: I hereby state that the foregoing survey was prepared from actual field measurements, in accordance with Chapter 4733-37, Ohio Administrative Code.

By: Nathaniel B. Ramsey 10/5/2015
Nathaniel B. Ramsey, P.S. #2396 Date
For Ramsey Surveying



- LEGEND**
- RAILROAD SPIKE FOUND
 - IRON PIN/PIPE FOUND
 - △ MAGNAIL SPIKE FOUND

RAMSEY SURVEYING
Professional Land Surveying Services
283 Eby Road
Shiloh, Ohio 44878
TEL (419) 512-2596 FAX (419) 522-0399
EMAIL nramsey@ramsey-surveying.com

SURVEY MADE FOR PROPERTY TRANSFER

PART OF THE SOUTHEAST QUARTER OF SECTION 20, MONROE TOWNSHIP, T-22 N, R-17 W RICHLAND COUNTY, OHIO

DRAWN NBR	CHECKED NBR	SCALE 1" = 40'	DATE 10/05/2015
JOB NO: SM-5129		SHEET 1 OF 1	

RAMSEY SURVEYING
Professional Land Surveying Services

283 Eby Road
Shiloh, Ohio 44878
TEL (419) 512-2596
FAX (419) 522-0399
EMAIL: nramsey@ramsey-surveying.com

LEGAL DESCRIPTION

**PART SOUTHEAST QUARTER SECTION 20
MONROE TOWNSHIP
RICHLAND COUNTY, OHIO**

October 5, 2015

Situated in the Township of Monroe, County of Richland, State of Ohio and being a part of the Southeast Quarter of Section 20, Township 22 North, Range 17 West, being a parcel conveyed to Quinton Foss and Rick J. Foss by official record volume 2204, page 768 and being more particularly described as follows:

Commencing at a railroad spike found marking the southeast corner of said southeast quarter;

Thence, North 02 degrees 06 minutes 41 seconds West, 2502.85 feet along the east line of said quarter to a point in the northeasterly corner of a parcel conveyed to Frances M. Au by official record volume 1692, page 416, said point being referenced by and iron pin found North 75 degrees 27 minutes 46 seconds East, 0.28 feet from said point, said point being **The Place of Beginning** of the parcel herein described;

Thence, the following **FOUR** courses:

1. **South 75 degrees 27 minutes 46 seconds West, 165.52 feet** along the north line of said Au parcel to a point in the northwest corner thereof, said point also being on the centerline of Moffet Road-(C.H. 371), and passing through an iron pin found for reference at 141.00 feet;
2. **North 30 degrees 36 minutes 29 seconds West, 148.00 feet** along said centerline to a Magnail spike found in the southwest corner of a parcel conveyed to Rick J. Foss and Susan M. Foss by official record volume 2332, page 819;
3. **South 89 degrees 17 minutes 17 seconds East, 232.54 feet** along the south line of said Rick and Susan Foss parcel to a point in the southeast corner thereof, said point also being on the east line of said southeast quarter, and being referenced by an iron pin found South 89 degrees 17 minutes 17 seconds East, 0.13 feet from said point;
4. **South 02 degrees 06 minutes 41 seconds East, 83.00 feet** along the east line of said southeast quarter to **The Place of Beginning**, containing 0.4915 of an acre, more or less, and subject to all legal highways and easements of record.

Bearings are to an assumed meridian and are used to express angles only.

According to a survey made October 2015 by Nathaniel B. Ramsey, Ohio Registered Professional Surveyor No. 8396.


Nathaniel B. Ramsey

Professional Surveyor No. 8396
For Ramsey Surveying
SM-5129



NEW SURVEY
OF EXISTING PARCEL
RICHLAND COUNTY
TAX MAP OFFICE

EAK 10-15-15
INITIAL DATE
HH-267