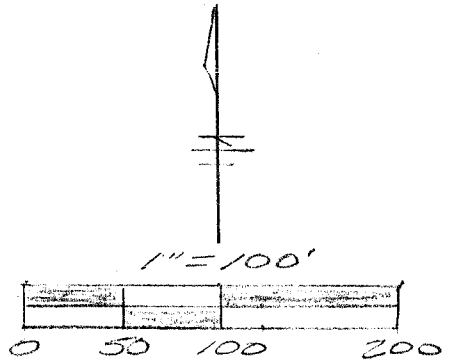
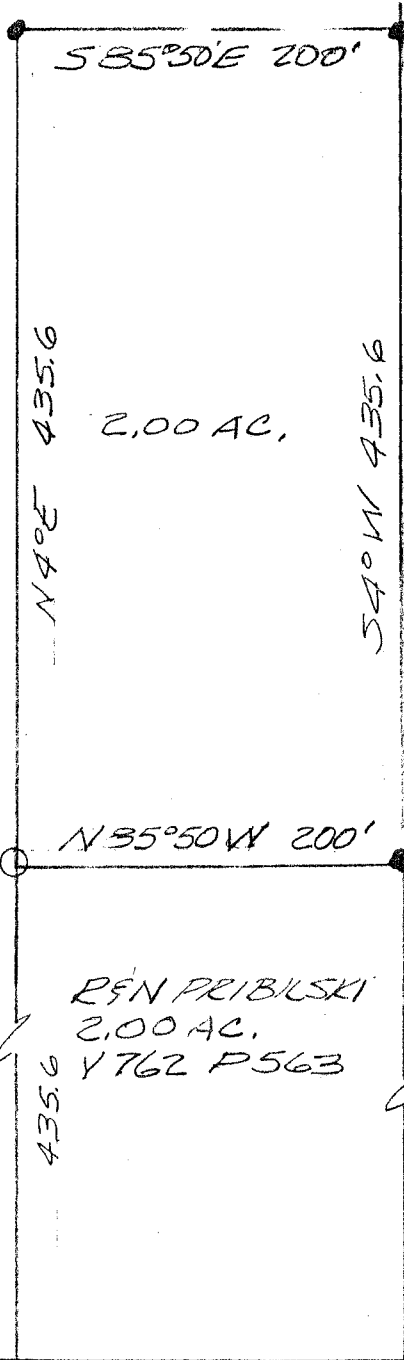


G & V. GARRETT
60.44 AC,
V432 - P. 404

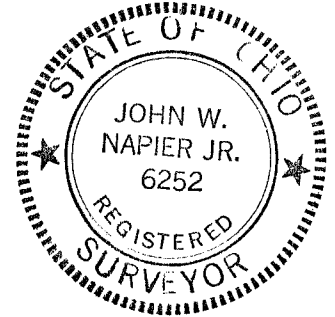
B & L NAUGLE
9.56 AC.

2.00 AC.

- I.P. FOUND
- I.P. 5/8" BAR-CAPPED BRG. = RECORD



R & N PRIBILSKI
2.00 AC.
V762 P563



SW COR SW QTR,
SEC 31
S 85° 50' E 841.6'

S. LINE SW QTR SEC. 31 & E CAIRNS RD (CH 203)

SURVEY PLAT

PART S.W. QTR SEC 31
TWP. 22, R. 18, FRANKLIN TWP.
RICHLAND CO., OHIO

SURVEY FOR TRANSFER
GARRETT TO PRIBILSKI

John W. Napier Jr.
3/12/87
JOHN W. NAPIER, JR.,
REG. SURVEYOR #6252