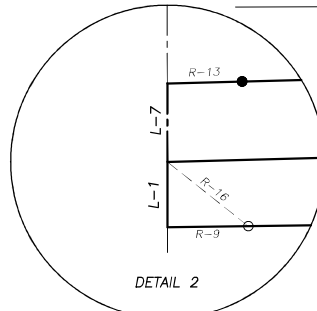
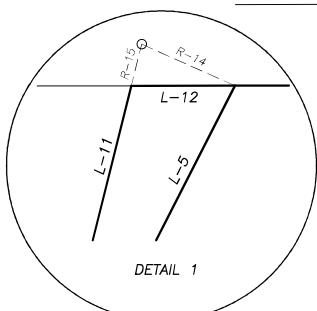


LINE	BEARING	DISTANCE
L-1	N 00°05'31" W	22.78'
L-2	N 89°57'12" E	442.49'
L-3	N 16°13'54" E	198.21'
L-4	N 66°28'36" E	379.19'
L-5	N 26°59'26" E	127.80'
L-6	N 89°53'53" E	85.00'
L-7	N 00°05'31" W	27.29'
L-8	N 88°32'10" E	414.66'
L-9	N 17°15'15" E	187.18'
L-10	N 65°58'15" E	382.10'
L-11	N 13°59'25" E	97.87'
L-12	N 89°53'53" E	60.77'

LINE	BEARING	DISTANCE
R-1	S 1°13'53" E	7.98'
R-2	S 41°44'27" W	35.68'
R-3	N 89°57'12" E	20.00'
R-4	N 00°13'25" E	40.00'
R-5	S 01°07'02" E	40.00'
R-6	S 89°57'18" W	3.00'
R-7	N 89°57'12" E	30.00'
R-8	S 89°48'03" E	35.00'
R-9	S 89°08'27" W	30.11'
R-10	S 46°50'56" E	20.00'
R-11	S 62°18'38" E	20.00'
R-12	N 26°59'26" W	50.00'
R-13	N 88°32'10" E	30.00'
R-14	N 89°17'10" W	60.49'
R-15	N 13°59'25" E	0.91'
R-16	S 53°28'32" E	137.51'



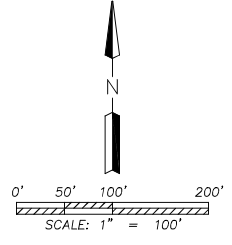
F5-30
 NEW SURVEY OF EXISTING PARCEL
 RICHLAND COUNTY TAX MAP OFFICE
EAK 6-25-24
 INITIAL & DATE

NEW SPLIT OF EXISTING PARCEL
 RICHLAND COUNTY TAX MAP OFFICE
EAK 6-25-24
 INITIAL & DATE

VERBAL APPROVAL BY MICHAEL MORTON
 WELLER ZONING INSPECTOR 6-25-24
 PARCEL 1 MUST TRANSFER BEFORE PARCEL 2 & 3
 PARCEL 5 MUST TRANSFER BEFORE PARCEL 4

CURVE	RADIUS	ARC LENGTH	CHORD LENGTH	CHORD BEARING	DELTA ANGLE
C2	1500.00'	352.26'	351.45'	N 06°30'14" W	13°27'19"

- LEGEND**
- IRON PIN/PIPE FOUND
 - △ RAILROAD SPIKE FOUND
 - IRON PIN SET-5/8" REBAR SET WITH I.D. CAP STAMPED "RAMSEY S-8396"
 - STONE FOUND WITH CHISLED "X"
 - ◆ STONE FOUND WITH MAGNOLIA IN CENTER
 - ⊗ SURVEY POINT
 - ⊗ FENCE POST FOUND



RAMSEY SURVEYING
 Professional Land Surveying Services
 283 Eby Road
 Shaker, Ohio 44876
 TEL (419) 512-2398 FAX (419) 522-0399
 EMAIL ramsey@ramsey-surveying.com

SURVEY MADE FOR PROPERTY TRANSFER

BEING A PART OF THE SOUTHWEST QUARTER OF SECTION 13, WELLER TOWNSHIP T-22 N, R-18 W RICHLAND COUNTY, OHIO

DATE: 06/04/2024
 JOB NO: SM-5983_B_PG SHEET 1 OF 1

Distances shown hereon are expressed in feet and decimal parts thereof.
 Bearings are to an assumed meridian and are used to express angles only.
 CERTIFICATION: I hereby state that the foregoing was prepared from actual field measurements, in accordance with Chapter 4733-37, Ohio Administrative Code.
 By: *Nathaniel B. Ramsey* 06/04/2024
 Nathaniel B. Ramsey, P.S. #8396 Date