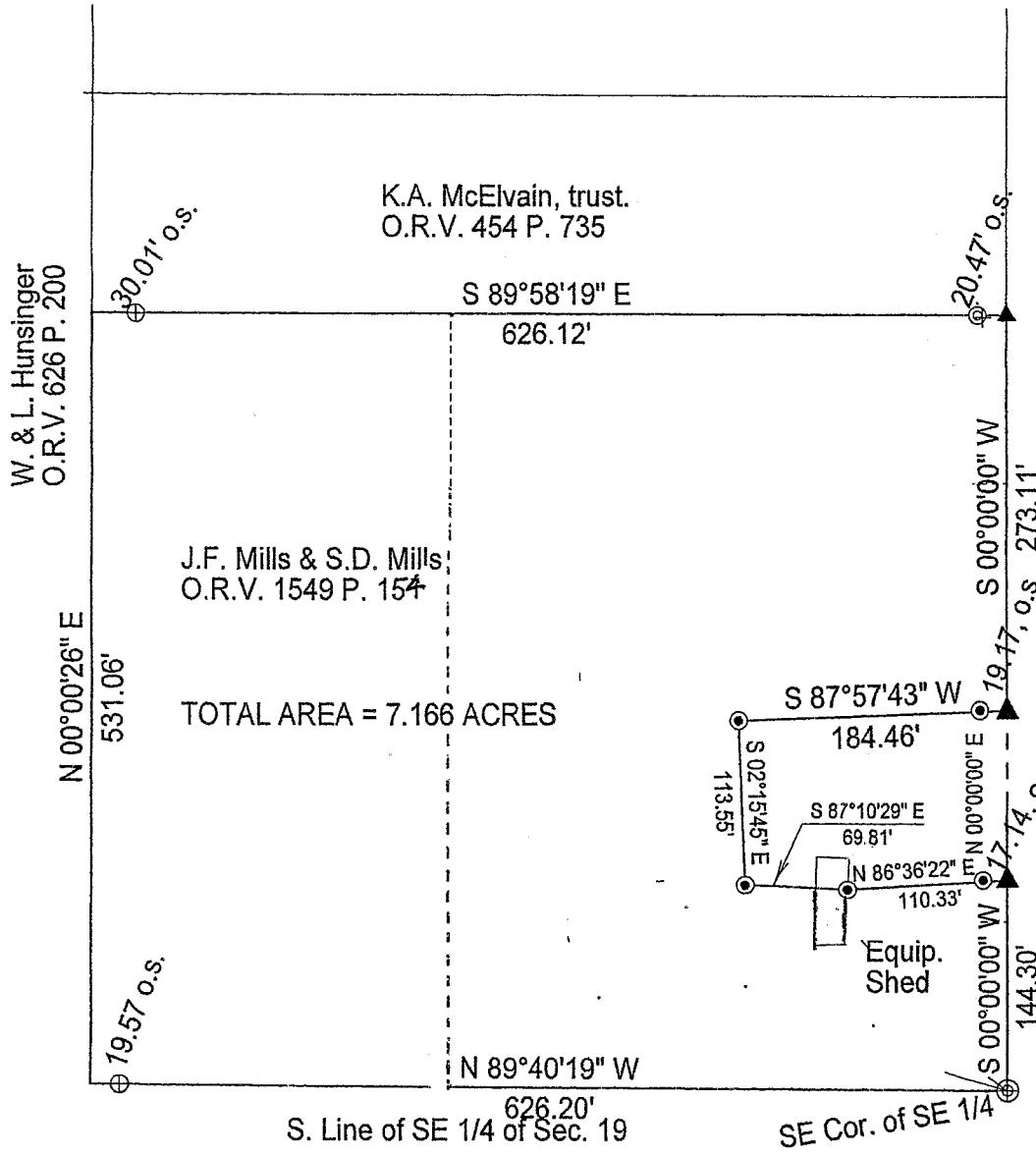


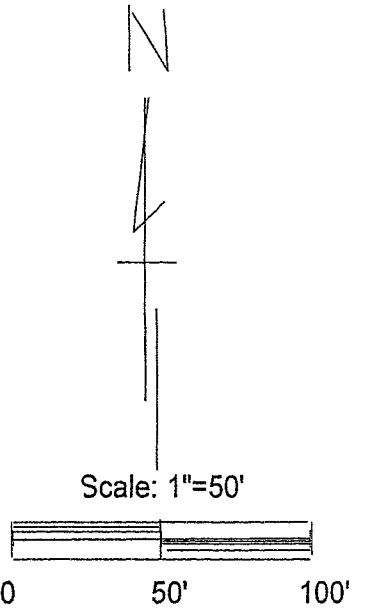
X-29



E line of SE 1/4 of Sec. 19 in McBride Rd, T.H. 297 Bearing Basis: N 0°00'00" E

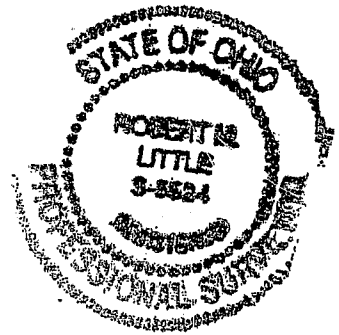
SURVEY for J.F. & S.D. MILLS
 PT. OF SE 1/4 OF SEC. 19
 TWP. 23 RNG. 17
 MIFFLIN TWP.
 RICHLAND CO. OHIO

- = Iron Pin, set & capped "LITTLE - 5524"
- ⊙ = Iron Pin, found
- ▲ = Mag nail, set
- ⊕ = Wood Post found



NEW SURVEY
 OF EXISTING PARCEL
 RICHLAND COUNTY
 TAX/MAP OFFICE

INITIAL: *[Signature]* DATE: 7-13-06



Robert M. Little
 Reg. Surveyor # 5524
 June 8, 2006

Robert M. Little

X-29

Robert M. Little

Surveyor and Engineer

67 Redwood Rd., Mansfield, OH 44907
Phone and Fax 419-756-5056

SURVEY FOR JAMES F. MILLS
PT. OF SE ¼ SEC. 19
TWP. 23, RNG. 17
MIFFLIN TWP.
COUNTY OF RICHLAND
STATE OF OHIO

Being a part of the Southeast Quarter of Section 19, Twp 23, P. 17, in the Township of Mifflin, County of Richland, State of Ohio, and being more fully described as follows:

Commencing at an iron pin, found, , marking the southeast corner of said southeast quarter, in McBride Rd., T.H. 297;

thence North 89°40'19" West along the south line of said quarter, a distance of 626.20' to a point in a stream bed, passing a 12" diameter wood post ^{19.57'} easterly of said post, at said bearing;

thence North 00°00'26" East along the east line of lands conveyed to W. & L. Hunsinger in Official Record Volume 626 Page 200 a distance of 531.06' to a point in said stream bed, referenced by a 12" diameter wood post ^{19.57'} bearing South 89° 58' 19" East a distance of 30.01 feet' from said point;

thence South 89°58'19" East along the south line of lands conveyed to K. A. McElvain, ^{trustee,} in Official Record Volume 454 Page 735 a distance of 626.12' to a Mag nail, ⁱⁿ McBride Rd., T.H. 297, passing the aforementioned wood post at 30.01 feet and an iron pin, found, 20.47 feet westerly of said Mag nail at said bearing;

thence South 00°00'00" West, with the east line of said quarter, in McBride Road, a distance of 273.11 ' to a Mag nail, set, referenced by an iron pin, set and capped, bearing South 87°57'43" West a distance of 19.40' from said Mag nail;

thence South 87°57'43" West a distance of 184.46' to an iron pin, set and capped; passing at 19.40' an aforementioned iron pin, set and capped;

thence South 02°15'45" East, a distance of 113.55' to an iron pin, set and capped;

thence South 87°10'29" East, a distance of 69.81' to an iron pin, set and capped, passing through an existing building;

thence North 86°36'22" East, a distance of 110.33 ' to a Mag nail, set, passing an iron pin, set and capped, 17.24' westerly of said Mag nail, at said bearing;

X - 29

X-29

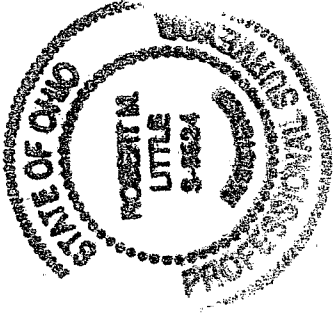
X-29

thence South 00°00'00" West, with the east line of said quarter, in McBride Road, a distance of 144.30' to the point of beginning; containing 7.166 acres of land, more or less.

Bearing basis: East line of said quarter called South 00°00'00" West.



Robert M. Little
Registered Surveyor # OH 5524
July 6, 2006



NEW SURVEY
OF EXISTING PARCEL
RICHLAND COUNTY
TAX MAP OFFICE
INITIAL RL DATE 7-13-06

X-29