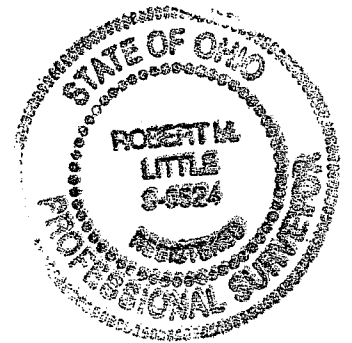
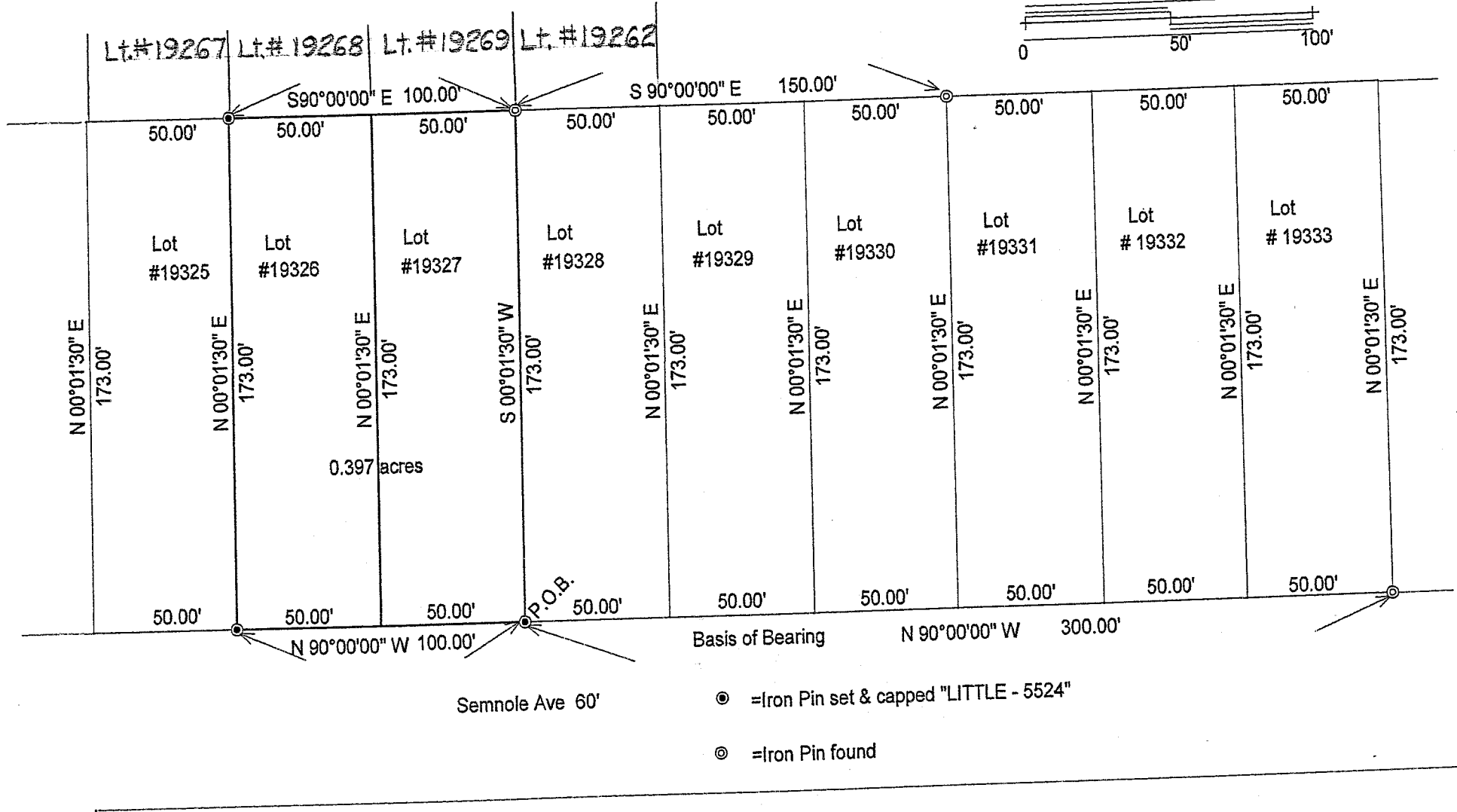
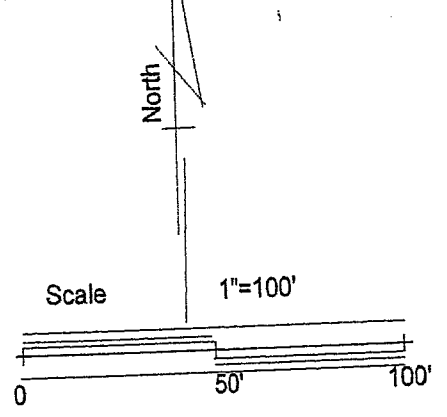


W-142

SURVEY OF LOTS 19326 & 19327
for Arnold Alexander
N. Side of Seminole Ave.
Mansfield, OH

Robert M. Little
Robert M. Little
Reg. Surveyor # OH 5524
Feb. 5, 2006



NEW SURVEY
OF EXISTING PARCEL
RICHLAND COUNTY
TAX MAP OFFICE
mub 2.24.06
INITIAL DATE

Robert M. Little

Surveyor and Engineer

67 Redwood Rd., Mansfield, OH 44907

Phone and Fax 419-756-5056

SURVEY FOR ARNOLD ALEXANDER
LOTS 19326 AND 19327
CITY OF MANSFIELD
COUNTY OF RICHLAND
STATE OF OHIO

Being Lots 19326 and 19327 of the City of Mansfield, County of Richland, State of Ohio, and being more fully described as follows:

Beginning at an iron pin, set and capped, marking the southeast corner of said Lot 19327;

Thence North 90°00'00" West a distance of 100.00 feet to an iron pin, set and capped, marking the southwest corner of said Lot 19326, said course being with the north line of Seminole Avenue;

Thence North 00°01'30" East a distance of 173.00 feet to an iron pin, set and capped, marking the northwest corner of Lot 19326,

Thence South 90°00'00" East a distance of 100.00 feet to an iron pin, found, marking the northeast corner of Lot 19327;

Thence South 00°01'30" West a distance of 173.00 feet to the point of beginning;

Containing 0.397 acres of land, more or less;

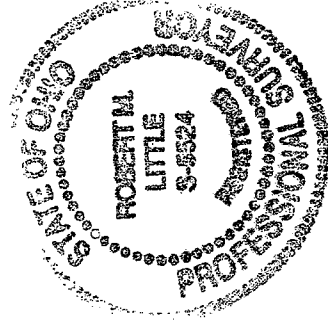
Bearing basis: the north line of Seminole Ave, called North 00°00'00" West.



Robert M. Little

Registered Surveyor # Ohio 5524

Feb 15, 2006



NEW SURVEY
OF EXISTING PARCEL
RICHLAND COUNTY
TAX MAP OFFICE

MLB 224-06
INITIAL DATE

W-142