

NEW SURVEY  
OF EXISTING PARCEL  
RICHLAND COUNTY  
TAX MAP OFFICE

*FAK 9-4-18*  
INITIAL DATE  
*KK-261*

BASIS OF BEARING IS STATE PLANE  
GRID NORTH NAD 83 (2011), GEOID  
12A, OHIO NORTH ZONE.

NORTH



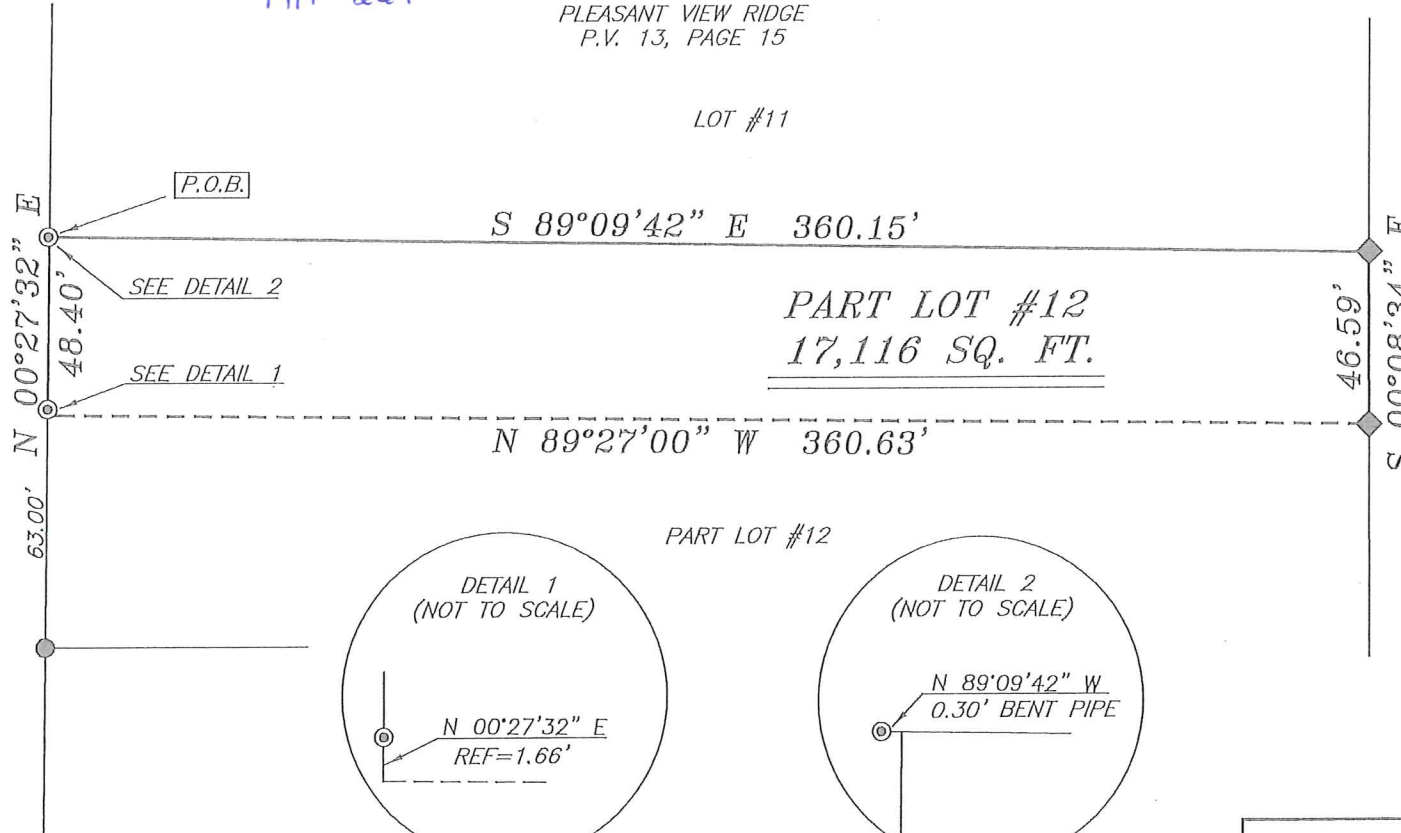
REFERENCE MATERIALS USED:

SURVEY: P-5  
TAX MAP

PLEASANT VIEW RIDGE  
P.V. 13, PAGE 15

OHIO AMERICAN WATER CO.  
O.R.V. 769, PAGE 874

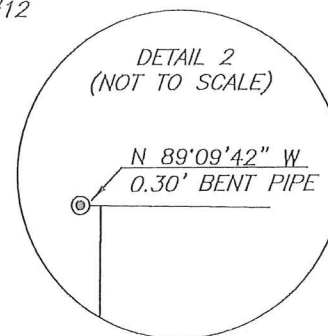
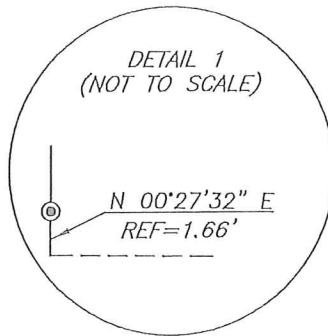
RIDGE ROAD NORTH 60' R/W



PART LOT #12  
17,116 SQ. FT.

LEGEND

- IRON PIN FOUND
- ⊙ IRON PIPE FOUND
- ◆ CRIMP TOP PIPE FOUND
- △ RAILROAD SPIKE SET
- ▲ RAILROAD SPIKE FOUND
- ⊗ 5/8" IRON PIN SET WITH CAP STAMPED "CRAIG 8195"



*Chad F. Craig*  
SURVEY BY: CHAD F. CRAIG, P.S. #8195  
for SEILER & CRAIG SURVEYING INC.  
270 PARK AVENUE WEST  
MANSFIELD, OHIO 44902  
(419) 525-3644  
EMAIL: SEILERANDCRAIG@SEILERANDCRAIG.COM

SURVEY PLAT FOR	
PROPERTY TRANSFER	
PART OF LOT 12, PLEASANT VIEW RIDGE SUBDIVISION, MADISON TOWNSHIP RICHLAND COUNTY, OHIO	
DATE: AUGUST 28, 2018	SCALE: 1"=50'
RIDGE_RD_86	

**SEILER & CRAIG SURVEYING, INC.**

Chad F. Craig, PS  
270 Park Avenue West  
Mansfield, Ohio 44902  
419-525-3644

Email: [seilerandcraig@seilerandcraig.com](mailto:seilerandcraig@seilerandcraig.com)

**SURVEY DESCRIPTION**

PART LOT #12  
PLEASANT VIEW RIDGE SUBDIVISION,  
MADISON TOWNSHIP,  
RICHLAND COUNTY, OHIO

Situated in the Township of Madison, County of Richland, State of Ohio and being known as part Lot #12 of Pleasant View Ridge Subdivision (P.V. 13, Page 15) and being more particularly described as follows:

Beginning for the same at a point marking the northwest corner of Lot 12 and referenced by an iron pipe found on a bearing of North 89 degrees 09 minutes 42 seconds West and a distance of 0.30 feet;

Thence South 89 degrees 09 minutes 42 seconds East 360.15 feet to a crimp top pipe found on the northeast corner of Lot #12;

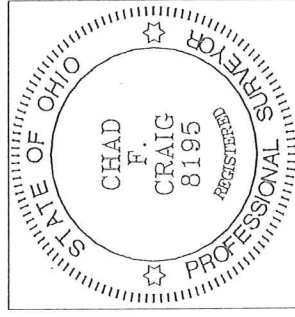
Thence South 00 degrees 08 minutes 34 seconds East 46.59 feet to a crimp top pipe found on the east line of Lot #12;

Thence North 89 degrees 27 minutes 00 seconds West 360.63 feet to a point on the west line of Lot #12, said point referenced by an iron pipe found on a bearing of North 00 degrees 27 minutes 32 seconds East and a distance of 1.66 feet;

Thence North 00 degrees 27 minutes 32 seconds East, passing through said reference pin, a total distance of 48.40 feet to the place of beginning, containing 17,116 square feet according to survey by Chad F. Craig P.S. 8195 on August 28, 2018 but subject to all legal highways and easements of record.

Iron pins set are 5/8" rods with caps stamped "CRAIG 8195".

Bearings are based on State Plane Grid North NAD 83 (2011), Geoid 12A, Ohio North Zone and are intended to be used for angular determination only.



NEW SURVEY  
OF EXISTING PARCEL  
RICHLAND COUNTY  
TAX MAP OFFICE

EAK 9-4-18  
INITIAL DATE

KK-261

*Chad F. Craig*

Chad F. Craig P.S. #8195  
Seiler and Craig Surveying, Inc.