

CURVE "A"
 L=102.50'
 R=954.93'
 Δ=6°09'00"
 CH. BRG.=S 47°41'43" W
 CH. DIST.=102.45'

WILLIAM E. BRADLEY JR. & MICHELLE I. BRADLEY
 ORV. 2597, PG. 637

DUANE & KAREN EDWARDS
 ORV. 2532, PG. 121

KAREN EDWARDS
 ORV. 2623, PG. 1
 0.253 AC.

NEW SURVEY
 OF EXISTING PARCEL
 RICHLAND COUNTY
 TAX MAP OFFICE

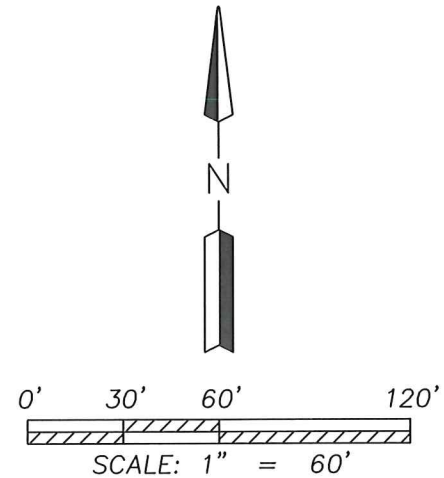
INITIAL DATE
 EAK 5-30-18
 KK-139

Distances shown hereon are expressed in feet and decimal parts thereof.

Bearings are to an assumed meridian and are used to express angles only.

CERTIFICATION: I hereby state that the foregoing survey was prepared from actual field measurements, in accordance with Chapter 4733-37, Ohio Administrative Code.

By: Nathaniel B. Ramsey Date: 5/22/2018
 Nathaniel B. Ramsey, P.S. #8396 For Ramsey Surveying



LEGEND

- M MONUMENT BOX FOUND
- IRON PIN/PIPE FOUND
- △ MAGNAIL SPIKE SET-2" MIN. LENGTH
- IRON PIN SET-5/8" REBAR SET WITH I.D. CAP STAMPED "RAMSEY S-8396"

RAMSEY SURVEYING
 Professional Land Surveying Services

283 Eby Road
 Shiloh, Ohio 44878
 TEL (419) 512-2596 FAX (419) 522-0399
 EMAIL nramsey@ramsey-surveying.com

SURVEY MADE FOR PROPERTY TRANSFER

PART OF THE SOUTHWEST QUARTER
 OF SECTION 24, WELLER TOWNSHIP,
 T-22 N, R-18 W
 RICHLAND COUNTY, OHIO

DRAWN NBR	CHECKED <u>NR</u>	SCALE 1" = 60'	DATE 05/22/2018
JOB NO: SM-5252			SHEET 1 OF 1

RAMSEY SURVEYING
Professional Land Surveying Services

283 Eby Road
Shiloh, Ohio 44878
TEL (419) 512-2596
FAX (419) 522-0399
EMAIL nramsey@ramsey-surveying.com

LEGAL DESCRIPTION

Situated in the Township of Weller, County of Richland, State of Ohio and being a part of the Southwest Quarter of Section 24, Township 22 North, Range 18 West, and being a parcel conveyed to Karen Edwards by official record volume 2623, page 1 of the Richland County Recorder's Records and being more particularly described as follows:

Commencing at a monument box found and accepted as marking the intersection of the Centerline of Robinson Road West-(T.R. 257) with the centerline of State Route 545;

Thence, **South 44 degrees 37 minutes 13 seconds West, 210.80 feet** along said centerline of State Route 545 to a monument box found marking a point of curvature;

Thence, Southwesterly along a curve to the right having a **radius of 954.93 feet, a delta angle of 06 degrees 09 minutes 00 seconds, an arc length of 102.50 feet, a chord bearing South 47 degrees 41 minutes 43 seconds West, and a chord distance of 102.45 feet** to a monument box found marking the point of tangency;

Thence, **South 50 degrees 46 minutes 13 seconds West, 126.30 feet** continuing along said centerline of State Route 545 to a magnail spike set in the southwesterly corner of a parcel conveyed to William E. Bradley, Jr. & Michelle I. Bradley by official record volume 2597, page 637, and being the **Place of Beginning** of the parcel herein described;


Thence, the following **FOUR** courses:

1. **South 50 degrees 46 minutes 13 seconds West, 99.98 feet** continuing along said centerline to a magnail spike set in a southeasterly corner of a parcel conveyed to Duane & Karen Edwards by official record volume 2532, page 121;
2. **North 40 degrees 34 minutes 06 seconds West, 110.08 feet** along an easterly line of said Edwards parcel to an iron pin found in an existing interior corner thereof and passing through an iron pin found for reference at 24.28 feet;
3. **North 50 degrees 01 minute 22 seconds East, 98.96 feet** along a southerly line of said Edwards parcel to an iron pin set in a southeasterly corner thereof, said iron pin also being on a westerly line of the aforementioned Bradley parcel;
4. **South 41 degrees 04 minutes 46 seconds East, 111.40 feet** along said westerly line to the **Place of Beginning**, passing through an iron pin found for reference at 84.76 feet, containing 0.253 of an acre, more or less, and subject to all legal highways, leases, servitudes, use restrictions, and easements of record.

Bearings are based on an assumed meridian and are used to express angles only.

Iron pins set are 5/8" diameter rebar with plastic cap stamped "Ramsey S-8396".
Magnail spikes set are 2" min. length.

According to a survey made in May 2018 by Nathaniel B. Ramsey, Ohio Registered Professional Surveyor No. 8396.


Nathaniel B. Ramsey
Professional Surveyor No. 8396
For Ramsey Surveying
SM-5252.docx



NEW SURVEY
OF EXISTING PARCEL
RICHLAND COUNTY
TAX MAP OFFICE

EAK INITIAL 5-30-18 DATE
KK-139