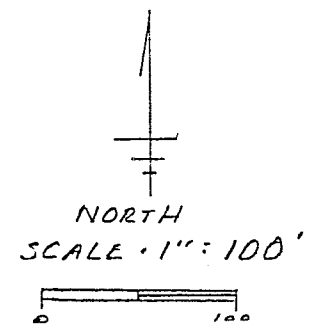
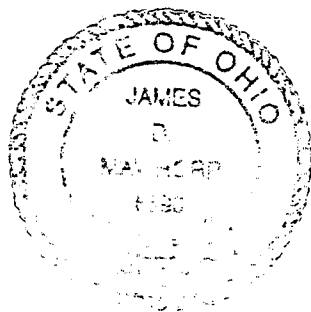


C. K. LEGGETT
ORV 37 P 596



BEARINGS ASSUMED
BASED ON ORV 37 P 596

- △ RAILROAD SPIKE FOUND
- IRON PIN FOUND



NEW SURVEY
OF EXISTING PARCEL
TAX MAP APPROVED
INITIAL J DATE 7-10-96

James D. Mawhor
JAMES D. MAWHOR
REG. SURVEYOR NO. 6690

SURVEY PLAT 1.152 ACRE.
N.E. 1/4 SEC 23 T 22 R 19
JACKSON TOWNSHIP
RICHLAND COUNTY OHIO
FOR L & J MAWHOR
JULY 5, 1996

Legal Description
1.152 Acres L. & J. Mawhorr

Situated in the Township of Jackson, County of Richland, State of Ohio and being known as part of the Northeast Quarter of Section 23, Township 22, Range 19, and more particularly described as follows:

Commencing at a railroad spike found at the Northeast corner of the Northeast Quarter of Section 23; thence North 89 deg. 32 min. West along the North line of said Quarter Section and the center of Taylortown Road (C.H.200) a distance of 858.38 feet to a railroad spike found which is the True Place of Beginning;

thence continuing North 89 deg. 32 min. West a distance of 263.76 feet to a railroad spike found;

thence South 0 deg. 33 min. 20 sec. East a distance of 190.00 feet to an iron pin found;

thence South 89 deg. 32 min. East a distance of 264.51 feet to an iron pin found;

thence North 0 deg. 47 min. West a distance of 190.00 feet to the True Place of Beginning, containing 1.152 acres of land, more or less, but subject to all legal highways and easements of record, and being the same parcel as previously recorded at Volume 588 page 207.

Bearings assumed, based on O.R.V.37 page 596.

July 5, 1996

James D. Mawhorr
Registered Surveyor
No. 6690

