

PLAT OF BOUNDARY SURVEY

JUST BIZ, INC.

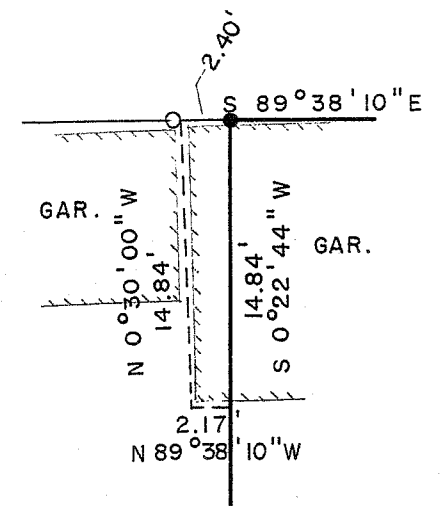
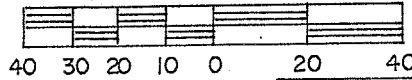
PART OF INLOT 923

CITY OF SHELBY, RICHLAND COUNTY, OHIO

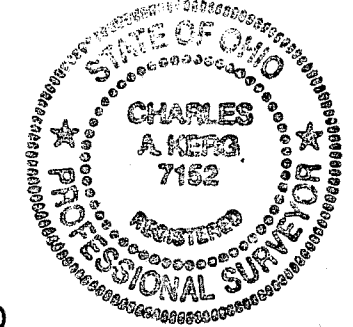
BEARINGS ARE BASED ON SURVEY PLAT T-118.

SUBJECT PARCEL CONTAINS 3,000 Sq. Ft.

SCALE: 1" = 40'



DETAIL: SCALE 1" = 10'
EASEMENT AREA 34 S.F.



AA108

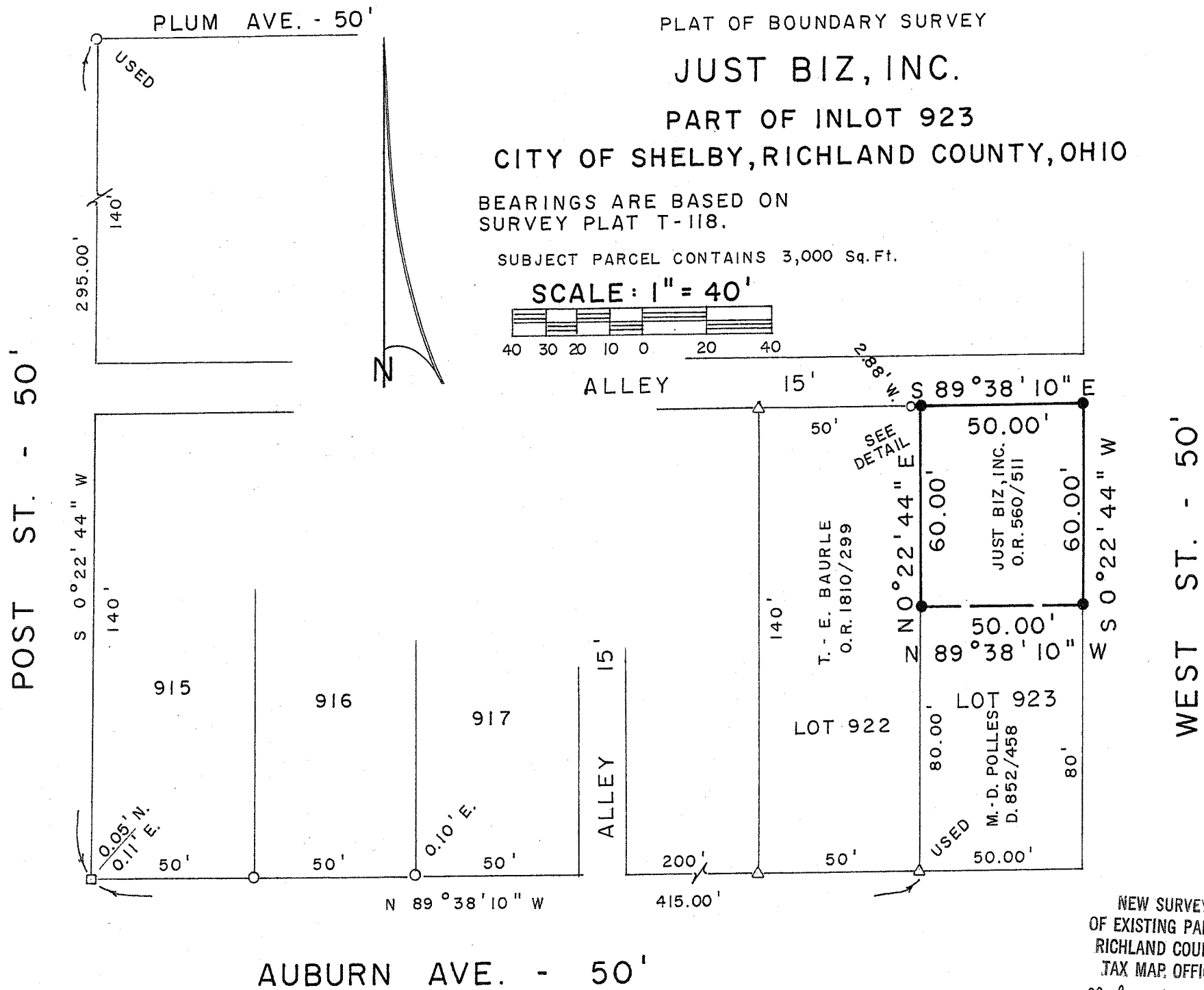
LEGEND

- IRON PIPE FOUND
- IRON BAR FOUND
- △ IRON PIN FOUND
- 5/8" IRON PIN SET WITH CAP STAMPED "C. KERG, RLS 7152"

PREPARED BY
KERG SURVEYING

Charles A. Kerg
CHARLES A. KERG
REGISTERED OHIO SURVEYOR 7152
DATE: JANUARY 15, 2009

NEW SURVEY
OF EXISTING PARCEL
RICHLAND COUNTY
TAX MAP OFFICE
MLB 12309
INITIAL DATE



CHARLES A. KERG
REGISTERED LAND SURVEYOR NO. 7152

86 West Main St. #D
Shelby, Ohio 44875
Phone: (419) 612-3800

DESCRIPTION
JUST BIZ, INC.
PART OF INLOT 923
CITY OF SHELBY, RICHLAND COUNTY, OHIO

DESCRIPTION: Being a part of Inlot 923 of the consecutively numbered inlots in the City of Shelby, Richland County, Ohio, and being more particularly described as follows:

The real point of beginning of the parcel herein described being an iron pin set at the intersection of the west right-of-way line of West Street (50 feet in width) and the south right-of-way line of a public alley (15 feet in width), being the northeast corner of said inlot (Just Biz, Inc. per Official Record Volume 560, Page 511);

- 1) thence S 0° 22' 44" W a distance of 60.00 feet along the west line of West Street to an iron pin set;
- 2) thence N 89° 38' 10" W a distance of 50.00 feet to an iron pin set on the west line of said inlot;
- 3) thence N 0° 22' 44" E a distance of 60.00 feet along said line to an iron pin set on the south line of said alley at the northwest corner of said inlot;
- 4) thence S 89° 38' 10" E a distance of 50.00 feet along said right-of-way line to the real point of beginning of the parcel herein described

and containing 3,000 square feet, more or less, but subject to all legal easements and public rights-of-way now on record. All iron pins set are 5/8" in diameter with caps stamped "C. KERG, RLS 7152". Bearings are based on Survey Plat Volume T, Page 118.

CERTIFICATION: I hereby certify that a boundary survey was made of the above property and that actual markers were found or set as indicated.

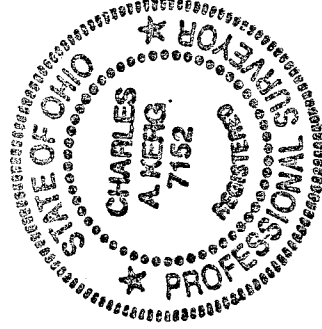
NEW SURVEY
OF EXISTING PARCEL
RICHLAND COUNTY
TAX MAP OFFICE

MLB
INITIAL
6-22-09
DATE

Prepared by
KERG SURVEYING



Charles A. Kerg
Registered Ohio Surveyor No. 7152
Date: January 15, 2009



CHARLES A. KERG
REGISTERED LAND SURVEYOR NO. 7152

86 West Main St. #D
Shelby, Ohio 44875
Phone: (419) 612-3800

DESCRIPTION OF EASEMENT
JUST BIZ, INC.
PART OF INLOT 922
CITY OF SHELBY, RICHLAND COUNTY, OHIO

DESCRIPTION: Being a part of Inlot 922 of the consecutively numbered inlots in the City of Shelby, Richland County, Ohio, and being more particularly described as follows:

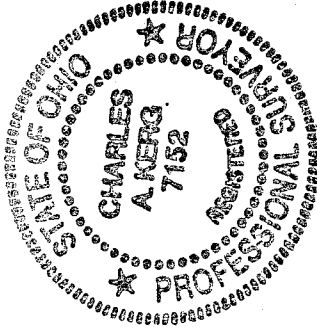
The real point of beginning of the easement herein described being an iron pin set on the south right-of-way line of a public alley (15 feet in width) at the northeast corner of Inlot 922 in the name of Thomas F. and Emilie D. Bauerle per Official Record Volume 1810, Page 299;

- 1) thence S 0° 22' 44" W a distance of 14.84 feet along the west line of said inlet to a point;
- 2) thence N 89° 38' 10" W a distance of 2.17 feet to a point;
- 3) thence N 0° 30' 00" W a distance of 14.84 feet to a point on the south line of said alley;
- 4) thence S 89° 38' 10" E a distance of 2.40 feet along said right-of-way line to the real point of beginning of the easement herein described

and containing 34 square feet, more or less, but subject to all other legal easements and public rights-of-way now on record. All iron pins set are 5/8" in diameter with caps stamped "C. KERG, RLS 7152". Bearings are based on Survey Plat Volume T, Page 118.

CERTIFICATION: I hereby certify that the foregoing description is based on a boundary survey made of the above property and that actual markers were set as indicated.

Prepared by
KERG SURVEYING



Charles A. Kerg
Charles A. Kerg
Registered Ohio Surveyor No. 7152
Date: January 15, 2009