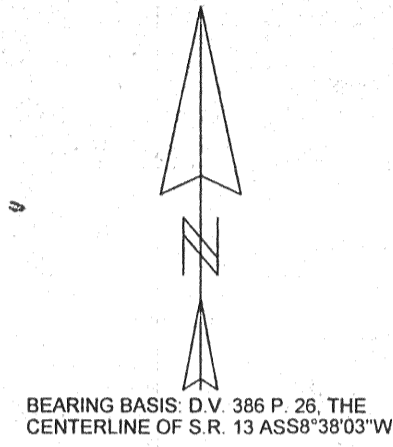
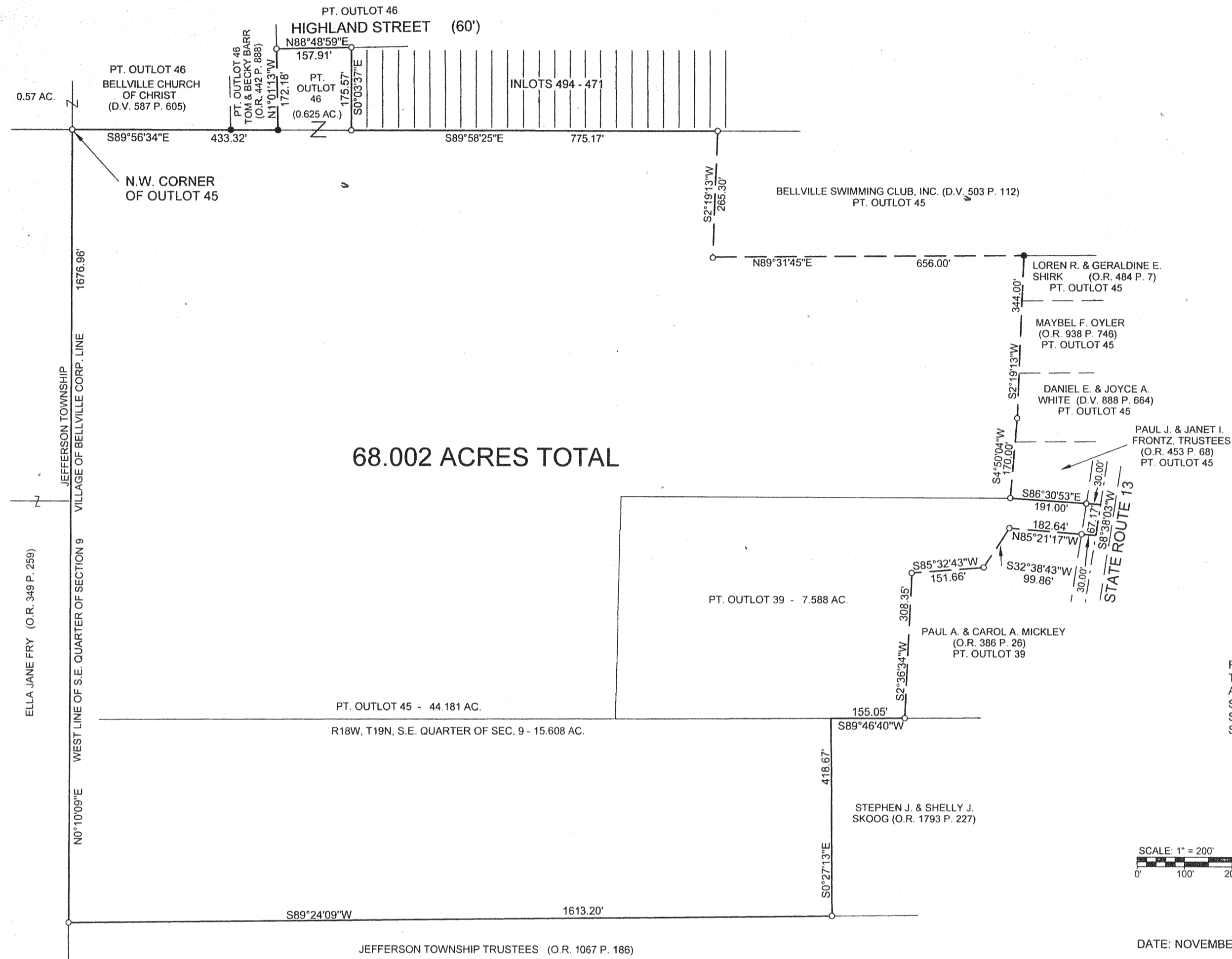


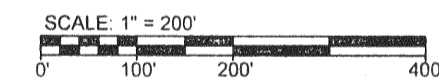
SURVEY FOR
SHARON & DON CATALDO
 PART OF OUTLOTS 39, 45 & 46 AND RANGE 18 WEST, TOWNSHIP 19 NORTH, S.E. QUARTER OF SECTION 9,
 VILLAGE OF BELLVILLE, RICHLAND COUNTY, OHIO



- LEGEND**
- IRON PIN FOUND
 - 5/8" x 30" IRON PIN SET W/ PLASTIC CAP STAMPED "VANCE 6553"



REFERENCE MATERIALS:
 TAX MAPS
 ALL DEEDS AS SHOWN
 SURVEY G-94
 SURVEY N-117
 SURVEY L-256



DATE: NOVEMBER 29, 2007



CERTIFICATION: WE HEREBY CERTIFY THAT THE FOREGOING SURVEY WAS PREPARED FROM ACTUAL FIELD MEASUREMENTS, IN ACCORDANCE WITH CHAPTER 4733-37, OHIO ADMINISTRATION CODE.

Samuel W. Vance
 SAMUEL W. VANCE REGISTERED SURVEYOR NO. 6553

NEW SURVEY
 OF EXISTING PARCEL
 RICHLAND COUNTY
 TAX MAP OFFICE
 EAK 11-30-07
 INITIAL DATE