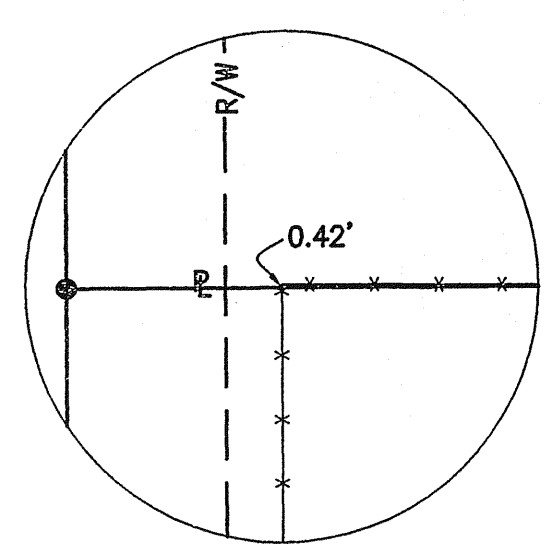


BEARINGS ARE BASED ON A GLOBAL POSITIONING TRAVERSE ORIGINATING ON COR STATIONS WOODS, MTRV, AND ZOB1, THE OHIO STATE PLANE COORDINATE SYSTEM, NAD 83(CORS96), NORTH ZONE.

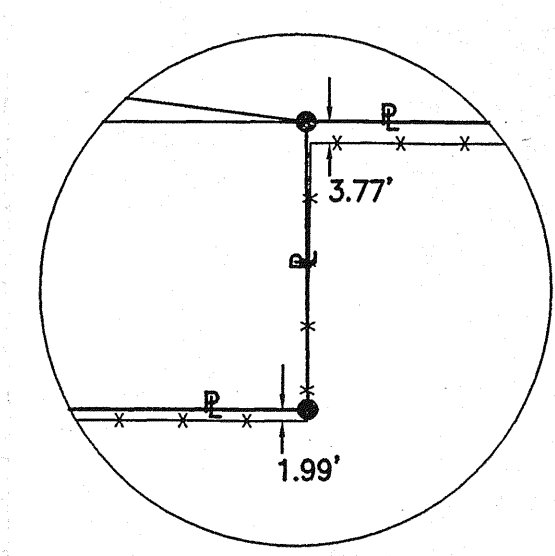
LEGEND

- - 5/8" DIA. x 30" REBAR SET WITH PLASTIC CAP STAMPED "RICHLAND ENG. RLS 7209".
- - SURVEY MARKER FOUND. TYPE AS LABELED
- ⊙ - CONCRETE MON. FOUND
- ⊕ - RAILROAD SPIKE FOUND
- ⊖ - MAG NAIL SET
- ⊗ - P.K. NAIL FOUND
- - 6' CHAIN LINK FENCE
- () - DEEDED ACREAGE

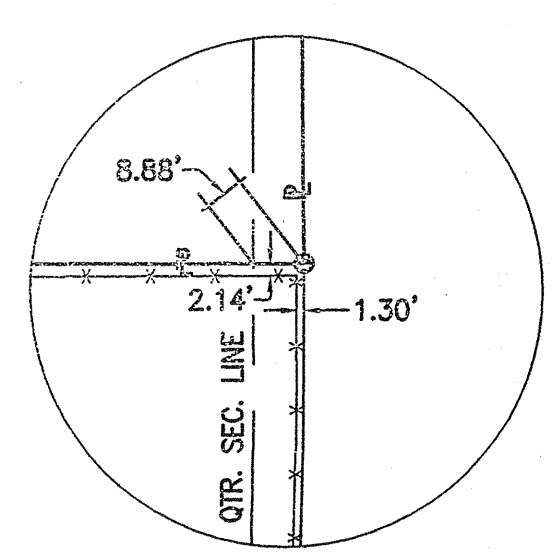
N.W. QTR. SEC. 28 = 99.798 AC.
 N.E. QTR. SEC. 28 = 130.516 AC.
 S.E. QTR. SEC. 28 = 62.229 AC.
 TOTAL = 292.543 AC.



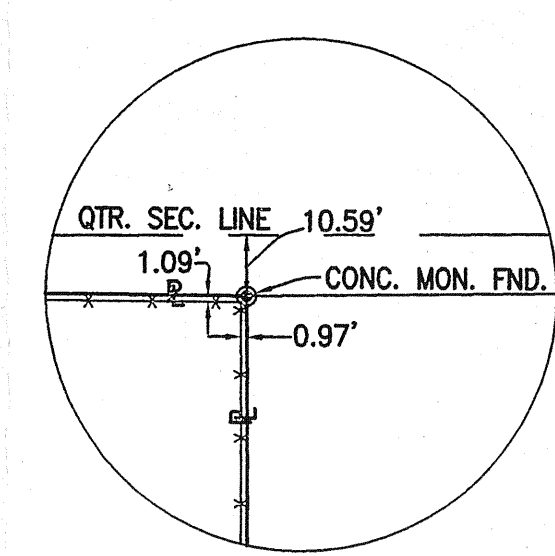
DETAIL "A"
NOT TO SCALE



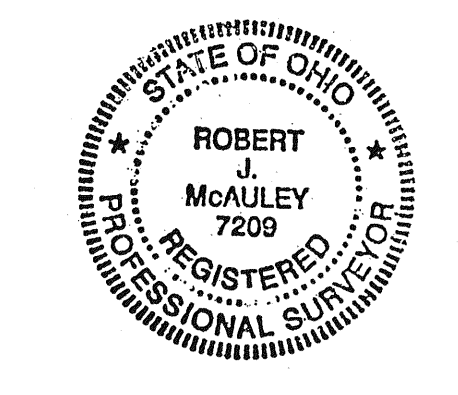
DETAIL "B"
NOT TO SCALE



DETAIL "C"
NOT TO SCALE

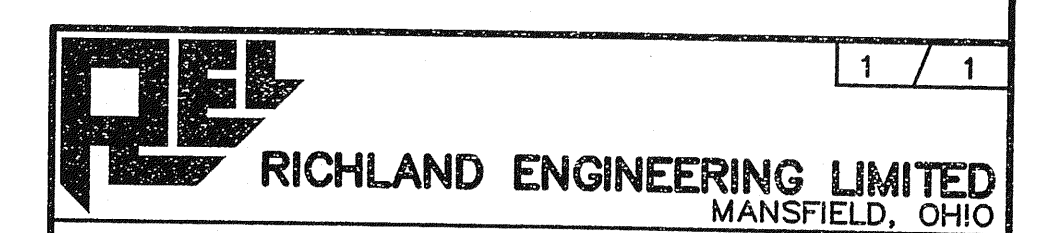


DETAIL "D"
NOT TO SCALE



Robert J. McAuley 13 Sept 2006
 ROBERT J. MCAULEY
 P.S. NO. 7209
 DATE

NEW SURVEY OF EXISTING PARCEL RICHLAND COUNTY TAX MAP OFFICE
 INITIAL DATE
 mjb 013-06



SURVEY FOR THE CITY OF MANSFIELD
 SITUATED IN THE CITY OF MANSFIELD, TOWNSHIP OF FRANKLIN AND BEING A PART OF THE NORTHWEST, NORTHEAST AND SOUTHEAST QUARTERS OF SECTION 28, TOWNSHIP 22, RANGE 18W, RICHLAND COUNTY, STATE OF OHIO

TAX MAP OFFICE APPROVAL

I HEREBY CERTIFY THAT THIS PLAT HAS BEEN APPROVED.
 DATE 013-06
 TAX MAP OFFICE

DESIGNED	DRAWN	TRACED	CHECKED	REVIEWED	DATE	REVISED
R.Mc.	B.B.					