

S.W. QTR. SEC 15 = 13.069 AC.
 S.E. QTR. SEC 16 = 6.186 AC.
 TOTAL = 19.255 AC.

"RLS 4939" SURVEY MARKER FND.
 (N 2°00'00" E D)
 N 1°38'51" E F
 31.00' (D & F)
 590.38'

GALVANIZED FENCE POST FND.
 (N 63°36'51" W D)
 N 63°19'45" W F
 147.75' F
 (165.74' D)

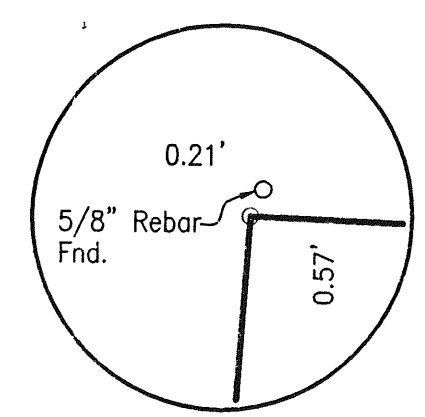
5/8" Rebar Fnd.
 S 2°14'20" W F (S 1°57'15" W D)
 62.61' F (64.15' D)
 N 87°45'40" W F (N 88°02'45" W D)
 44.55' (D & F)
 N 2°22'43" E F (N 1°57'15" E D)
 68.65' (D & F)
 N 86°00'20" W F (N 86°17'30" W D)
 86.55' (D & F)
 S 2°14'20" W F (S 1°57'15" W D)
 71.30' (D & F)
 N 87°45'40" W F (N 88°02'45" W D)
 60.00' (D & F)
 N 2°14'20" E F (S 1°57'15" W D)
 64.90' (D & F)

MAG NAIL FD. In Conc. Fence Post Base

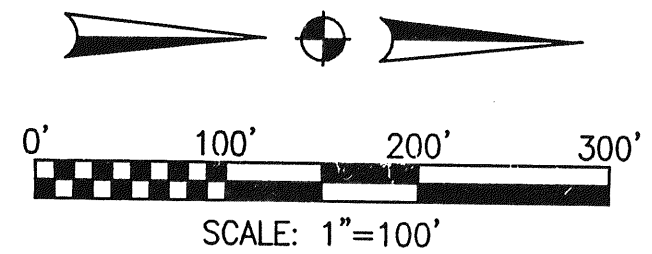
CURVE 1
 L = 514.87'
 R = 1100.00' (D & F)
 CHD. = 510.18'
 BRG. = S 69°33'59" W

CURVE 2
 L = 274.58 F (257.35' D)
 R = 400.00' (D & F)
 CHD = 269.22' F (252.93' D)
 BRG. = N 53°16'17" W F
 (N 52°30'57" W D)

CURVE 3
 L = 92.48'
 R = 1100.00' (D & F)
 CHD. = 92.45'
 BRG. = S 53°44'55" W



DETAIL #1



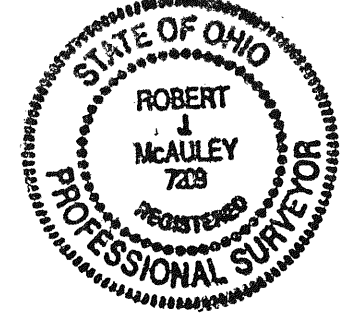
LEGEND

- SURVEY MARKER SET—5/8" DIA. X 30" LG. REBAR SET WITH CAP STAMPED, "RICHLAND ENG. RLS 7209"
- ◇ RAILROAD SPIKE FOUND
- IRON PIPE FOUND
- ⊕ P.K. NAIL FOUND
- ⊞ CONCRETE MOUNMENT FOUND
- ◆ MAG-NAIL FD
- D DEED
- F FOUND

ALL BEARINGS ARE BASED ON THE EAST RIGHT OF WAY LINE OF NORTH MAIN STREET(S.R. 13) BEING NORTH 05°44'10" EAST AS RECORDED IN OFFICIAL RECORD VOLUME 331, PAGE 64.

NEW SURVEY OF EXISTING PARCEL RICHLAND COUNTY TAX MAP OFFICE INITIAL DATE 8-1-02

ROBERT J. MCAULEY 30 July 2002
 RLS 7209 DATE



RICHLAND ENGINEERING LIMITED
 29 NORTH PARK STREET MANSFIELD, OHIO 44901
 PH. 419-524-0074 FAX 419-524-1818

SURVEY FOR CITY OF MANSFIELD
 Citation Parcel Remainder
 Situated in the City of Mansfield, County of Richland, State of Ohio, and being a part of the Southwest Quarter of Section 15 and a part of the Southeast Quarter of Section 16, Township 2 North, Range 18 West.

095Remainder 07/30/02 Date 07/18/02 Drawn By JTM