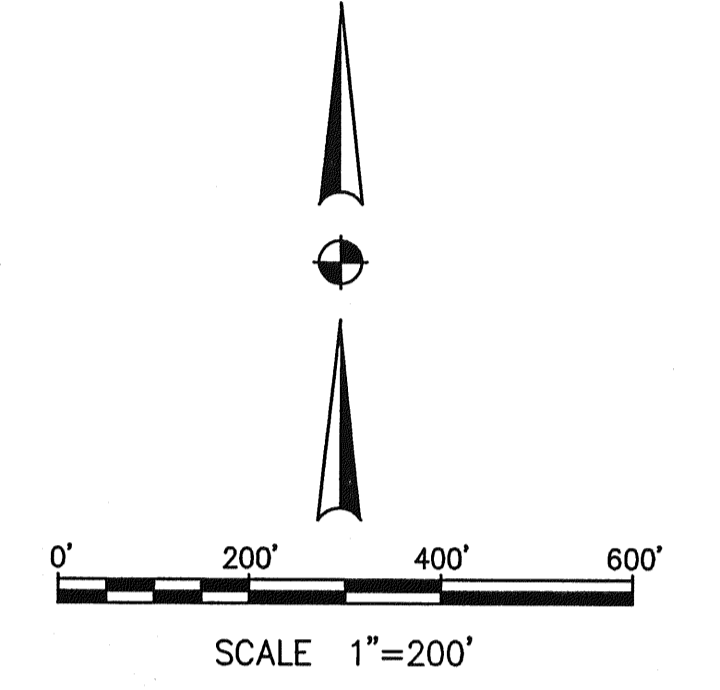


JOB No. _LOTSPLIT DATE 4/29/02_ DRAWN BY _RMC, HEW

LEGEND

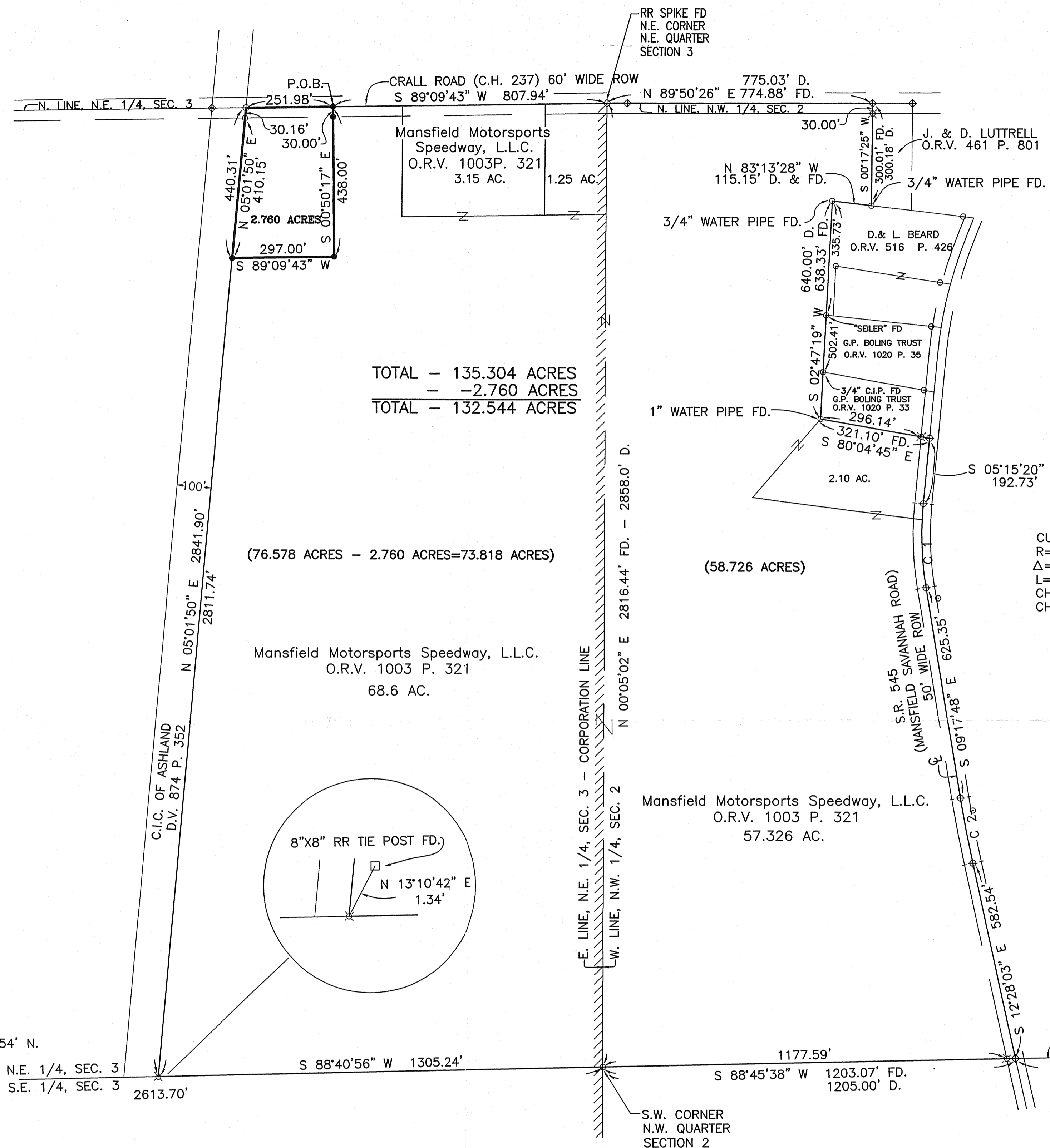
- - 5/8" DIA. x 30" REBAR SET WITH PLASTIC CAP STAMPED "RICHLAND ENG. RLS 7209".
- ◆ - MAG NAIL SET
- - IRON PIN FOUND
- ⊕ - RAILROAD SPIKE FOUND
- ⊕ - MAG NAIL FOUND
- - SEILER SURVEY MARKER FD. WITH CAP STAMPED "SEILER 6968"
- D. - DEED
- FD. - FOUND
- C.I.P. - CRIMPED IRON PIPE
- - CORPORATION LINE
- ⊗ - 5/8" DIA. x 30" REBAR FOUND WITH PLASTIC CAP STAMPED "RICHLAND ENG. RLS 7209".
- ◆ - RAILROAD SPIKE SET



BEARINGS WERE TRANSFERRED BY GLOBAL POSITIONING TRAVERSE ORIGINATING ON NGS MONUMENT "APRON" AND ARE BASED ON THE OHIO STATE PLANE COORDINATE SYSTEM, NORTH ZONE, AND THE NORTH AMERICAN DATUM OF 1983(95)

"The grantor, grantee and all subsequent owners or assignees taking title from, under or through the grantor or grantee agrees that any use or improvement made on this land shall be in conformity with all existing valid zoning, platting, health, or other lawful rules and regulations."

APPROVED BY THE MANSFIELD CITY PLANNING COMMISSION, NO PLAN REQUIRED.
 SIGNED: *Howard J. Harris*
 SECRETARY, CITY PLANNING COMMISSION
 DATE: April 30, 2002



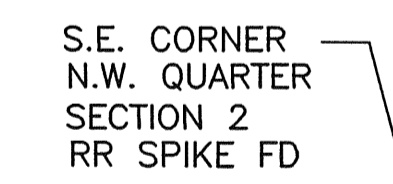
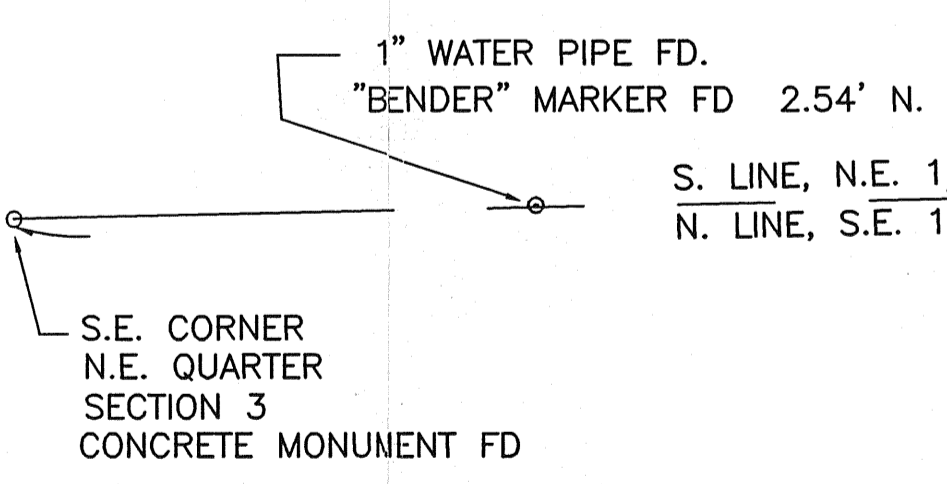
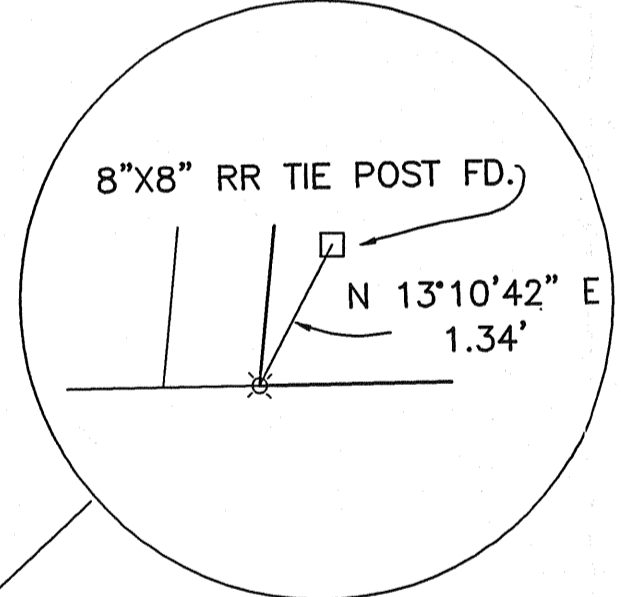
TOTAL - 135.304 ACRES
 - 2.760 ACRES
 TOTAL - 132.544 ACRES

(76.578 ACRES - 2.760 ACRES = 73.818 ACRES)

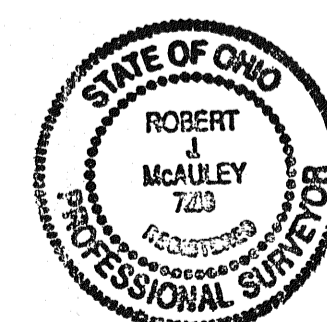
(58.726 ACRES)

CURVE 1
 R=966.92'
 Δ=14°33'08"
 L=245.58'
 CHD. BRG=S 02°01'14" E
 CHD. LEN=244.92'

CURVE 2
 R=3507.90'
 Δ=03°10'15"
 L=194.14'
 CHD. BRG = S 10°52'56" E
 CHD. LEN = 194.11'



S. LINE, N.E. 1/4, SEC. 3
 N. LINE, S.E. 1/4, SEC. 3
 S. LINE, N.W. 1/4, SEC. 2
 N. LINE, S.W. 1/4, SEC. 2
 1493.27' D. USED
 2696.35'



Robert J. McAuley
 ROBERT J. MCAULEY
 RLS 7209

29 April 2002
 DATE

RICHLAND ENGINEERING LIMITED
 MANSFIELD, OHIO

SURVEY OF A 2.76 ACRE PARCEL FOR
MANSFIELD MOTORSPORTS SPEEDWAY,
 SITUATED IN THE CITY OF MANSFIELD,
 TOWNSHIP OF MADISON,
 COUNTY OF RICHLAND, STATE OF OHIO
 BEING A PART OF THE NORTHEAST QUARTER
 OF SECTION 3, TOWNSHIP 21, RANGE 18.

DESIGNED	DRAWN	TRACED	CHECKED	REVIEWED	DATE
					4/29/02