

NOTE:  
RIGHT-OF-WAY ON THE SOUTH SIDE OF MIDDLETON ROAD  
WILL BE DEDICATED AT 30.00 FEET.

CURVE DATA

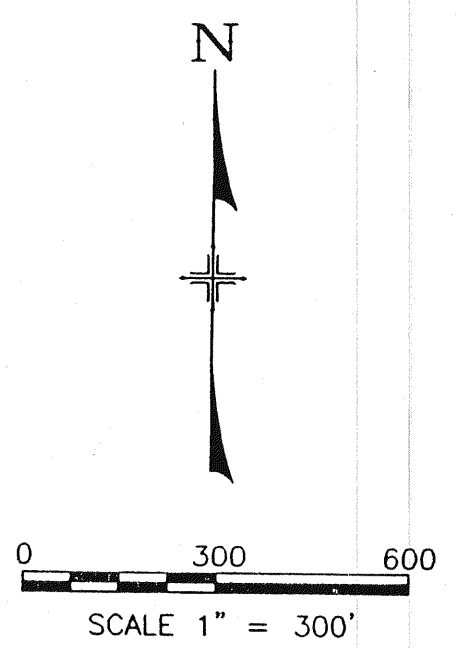
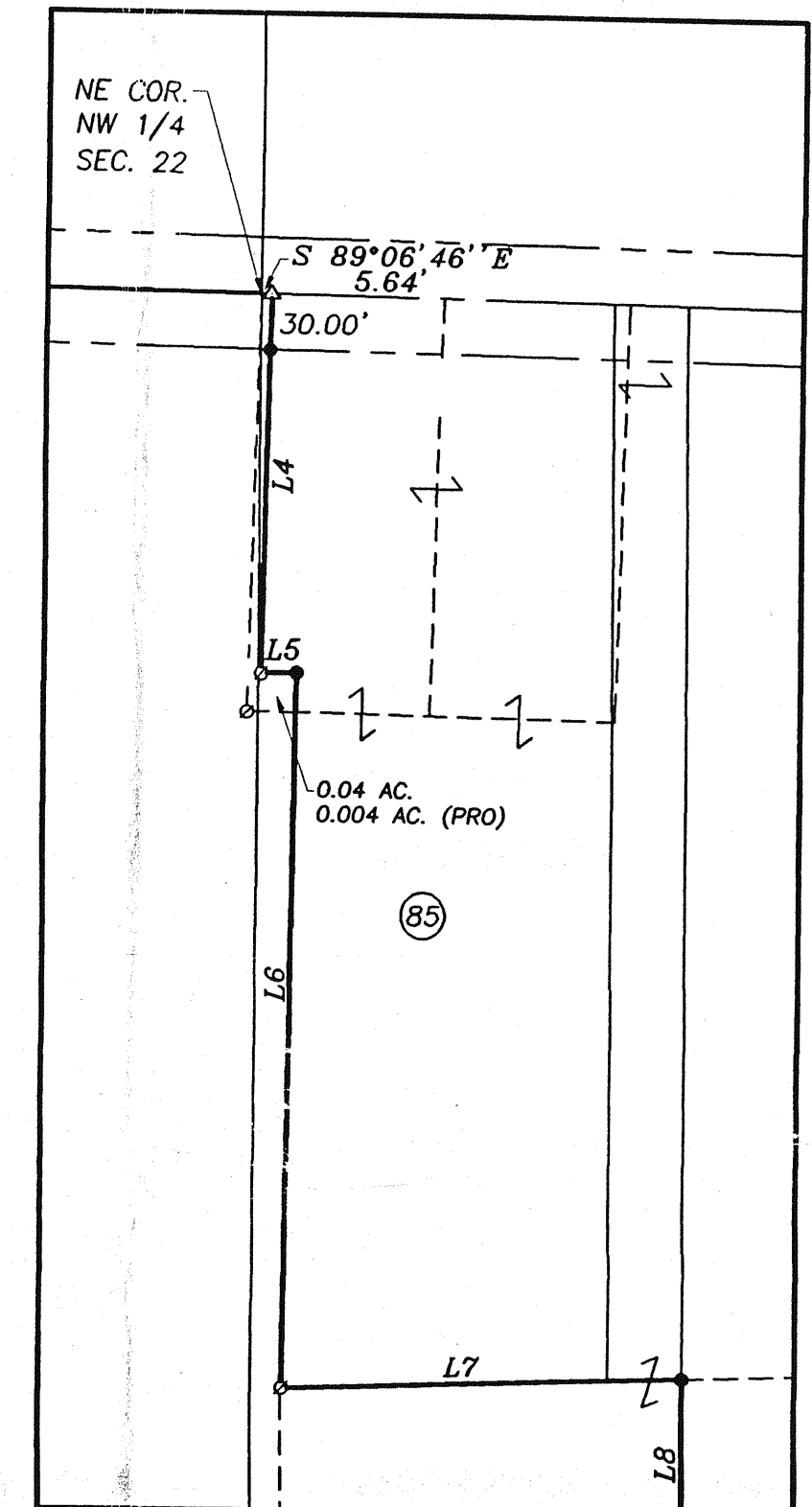
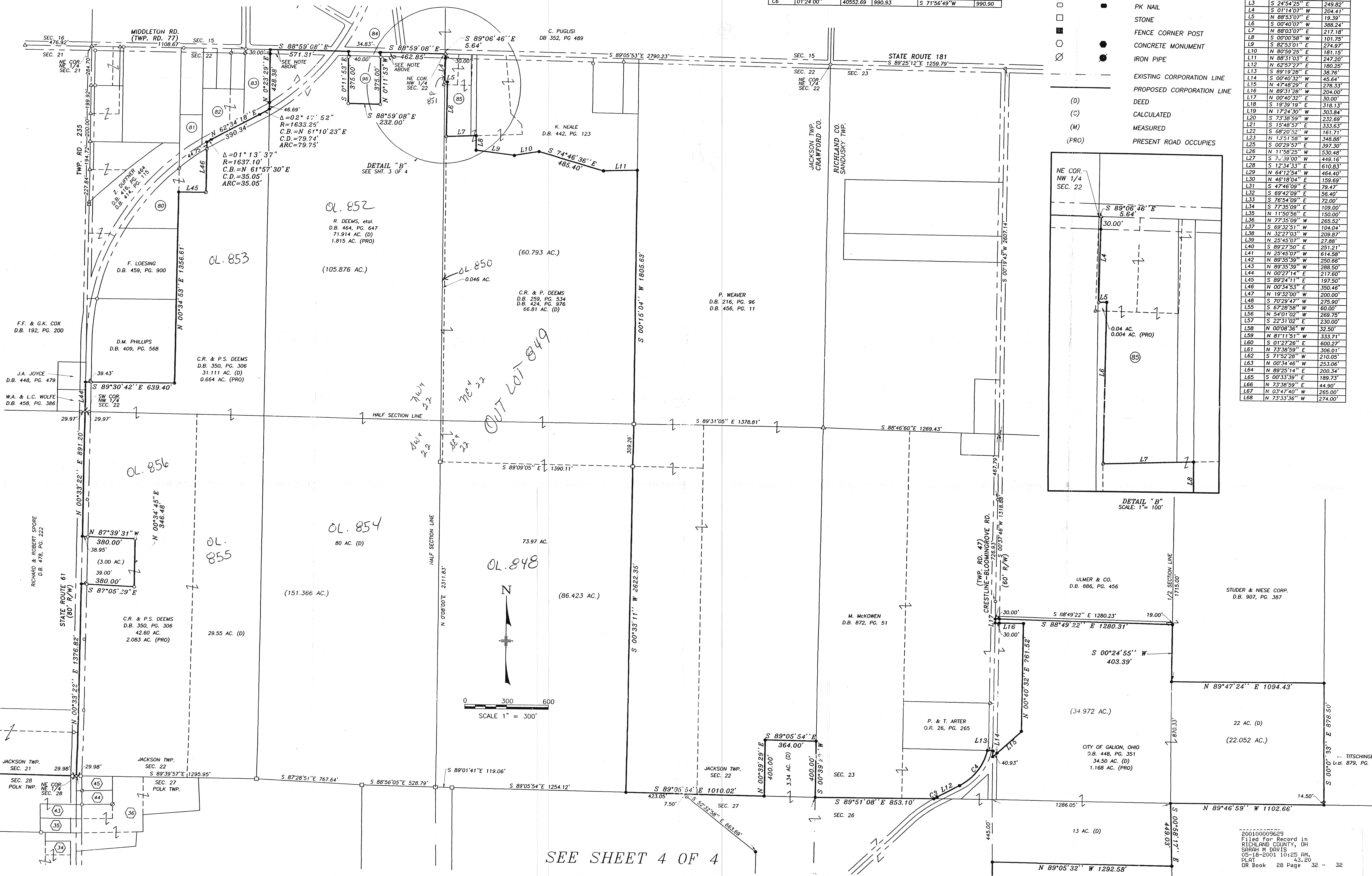
Curve No.	Delta	Radius	Arc Length	Chd. Bearing	Chd. Dist.
C3	01°30'10"	987.29	25.89	N 62°12'22"E	25.89
C4	49°59'07"	381.85	333.13	N 37°57'53"E	322.67
C5	04°56'26"	1920.21	165.58	S 71°10'46"W	165.53
C6	01°24'00"	40552.69	990.93	S 71°56'49"W	990.90

LEGEND

- | FOUND | SET |                           |
|-------|-----|---------------------------|
| ○     | ●   | IRON PIN                  |
| △     | ▲   | RAILROAD SPIKE            |
| □     | ■   | PK NAIL                   |
| ◇     | ◆   | STONE                     |
| ○     | ●   | FENCE CORNER POST         |
| ○     | ●   | CONCRETE MONUMENT         |
| ○     | ●   | IRON PIPE                 |
| ----- |     |                           |
|       |     | EXISTING CORPORATION LINE |
|       |     | PROPOSED CORPORATION LINE |
| (D)   |     | DEED                      |
| (C)   |     | CALCULATED                |
| (M)   |     | MEASURED                  |
| (PRO) |     | PRESENT ROAD OCCUPIES     |

LINE DATA

NUMBER	DIRECTION	DISTANCE
L1	N 02°22'47" W	271.76'
L2	S 88°46'47" E	25.86'
L3	S 24°54'25" E	249.82'
L4	S 01°14'07" W	204.41'
L5	N 89°53'07" E	19.39'
L6	S 00°40'07" E	386.24'
L7	N 88°03'07" E	217.18'
L8	S 00°00'58" W	101.76'
L9	S 82°53'01" E	274.97'
L10	N 80°59'25" E	181.15'
L11	N 88°31'03" E	247.20'
L12	N 62°57'27" E	180.25'
L13	S 89°19'28" E	38.76'
L14	S 00°40'32" W	45.64'
L15	N 47°48'29" E	278.33'
L16	N 89°31'28" W	204.00'
L17	N 00°40'32" E	30.00'
L18	S 19°39'19" E	318.13'
L19	N 17°24'30" W	303.84'
L20	S 73°38'59" W	232.69'
L21	S 15°48'57" E	333.63'
L22	S 68°20'52" W	161.71'
L23	N 1°35'59" W	348.88'
L24	S 00°29'57" E	337.30'
L25	N 11°58'25" W	530.48'
L26	S 7°39'00" W	449.16'
L27	S 12°34'33" E	610.83'
L28	N 64°12'54" W	464.40'
L29	N 46°18'04" E	159.69'
L30	S 47°46'09" E	79.47'
L31	S 69°42'09" E	56.40'
L32	S 76°54'09" E	72.00'
L33	S 77°35'09" E	109.00'
L34	N 11°50'56" E	265.52'
L35	N 77°35'09" W	104.04'
L36	N 77°35'09" W	104.04'
L37	S 69°32'51" W	104.04'
L38	N 32°27'03" W	208.87'
L39	N 25°45'07" W	27.88'
L40	S 89°27'50" E	251.21'
L41	N 25°45'07" W	614.58'
L42	N 89°35'39" W	250.66'
L43	N 89°35'39" W	289.50'
L44	N 00°27'14" E	217.60'
L45	S 89°24'11" E	197.50'
L46	N 00°34'53" E	350.46'
L47	N 19°32'00" W	200.00'
L48	S 70°29'47" W	275.90'
L49	S 67°28'58" W	60.00'
L50	N 54°01'02" W	269.75'
L51	S 22°31'02" E	230.00'
L52	N 00°08'36" W	32.50'
L53	N 81°11'51" W	333.71'
L54	S 01°22'26" E	600.27'
L55	N 73°38'59" W	306.01'
L56	S 71°52'28" W	210.05'
L57	N 00°34'46" W	253.06'
L58	N 89°25'14" E	200.34'
L59	N 00°33'39" E	189.73'
L60	N 73°38'59" E	44.90'
L61	N 03°47'40" W	265.00'
L62	N 73°33'36" W	274.00'



SEE SHEET 2 OF 4

SEE SHEET 4 OF 4

200100009629  
Filed for Record in  
RICHLAND COUNTY, OH  
SARAH M. DAVIS  
05-18-2001 10:25 AM  
PLAT 43.20  
OR Book 28 Page 32 - 32  
200100009629  
ELAINE KEIFER TAX MAP