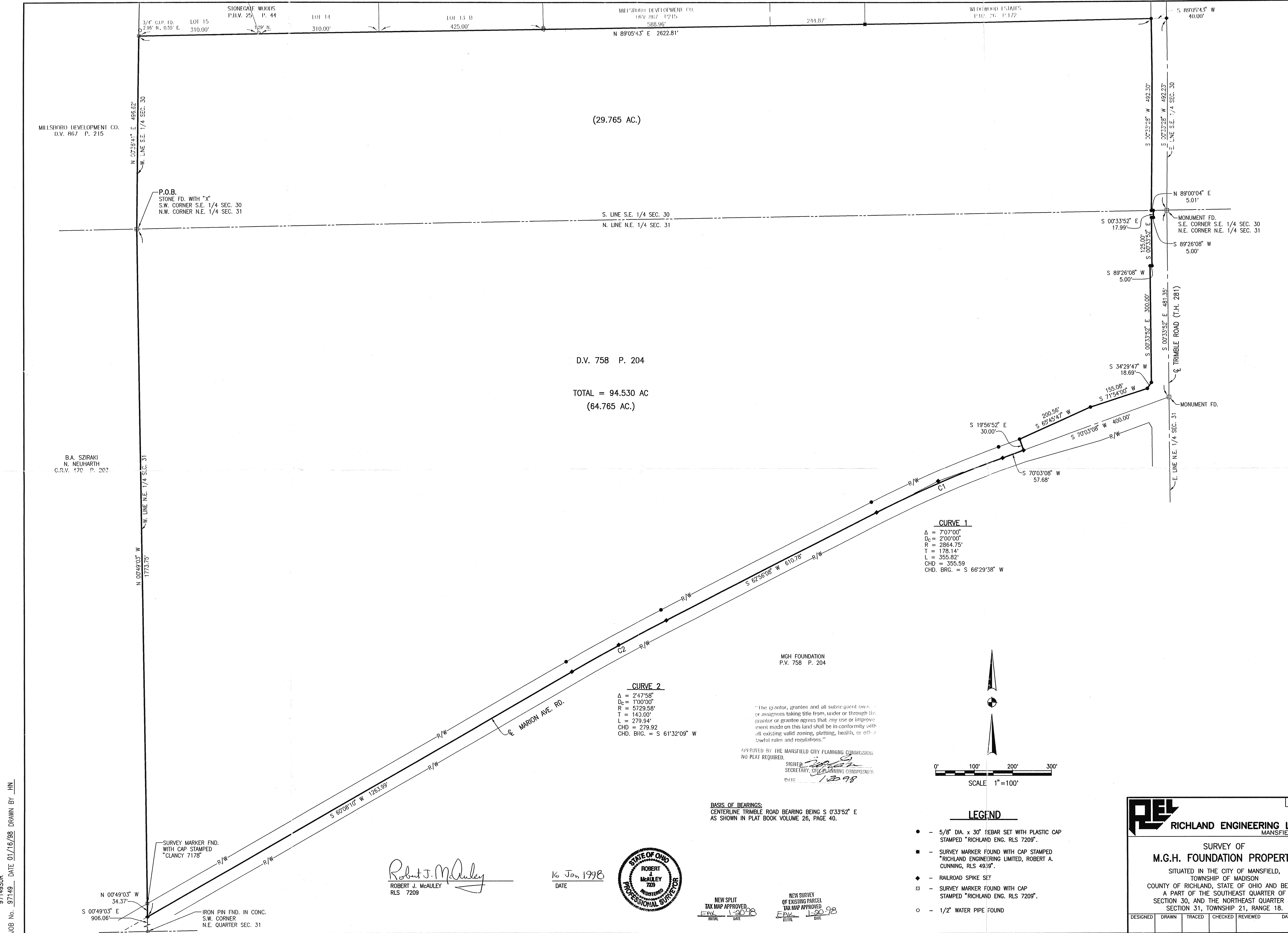


97149SUR
 JOB No. 97149 DATE 01/16/98 DRAWN BY HN



MILLSBORO DEVELOPMENT CO.
 D.V. 867 P. 215

B.A. SZIRAKI
 N. NEUHARTH
 C.R.V. 470 P. 203

(29.765 AC.)

D.V. 758 P. 204

TOTAL = 94.530 AC
 (64.765 AC.)

M.G.H. FOUNDATION
 P.V. 758 P. 204

CURVE 2
 $\Delta = 247.58'$
 $D_c = 100.00'$
 $R = 5729.58'$
 $T = 143.00'$
 $L = 279.94'$
 $CHD = 279.92'$
 CHD. BRG. = S 61°32'09" W

CURVE 1
 $\Delta = 707.00'$
 $D_c = 200.00'$
 $R = 2864.75'$
 $T = 178.14'$
 $L = 355.82'$
 $CHD = 355.59'$
 CHD. BRG. = S 66°29'38" W

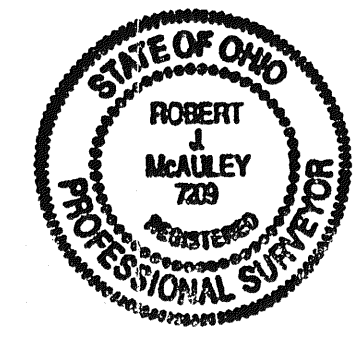
"The grantor, grantee and all subsequent owners or assignees taking title from, under or through the grantor or grantee agrees that any use or improvement made on this land shall be in conformity with all existing valid zoning, platting, health, or other lawful rules and regulations."

APPROVED BY THE MANSFIELD CITY PLANNING COMMISSION:
 NO PLAT REQUIRED.
 SIGNER: [Signature]
 SECRETARY, CITY PLANNING COMMISSION:
 DATE: 1-20-98

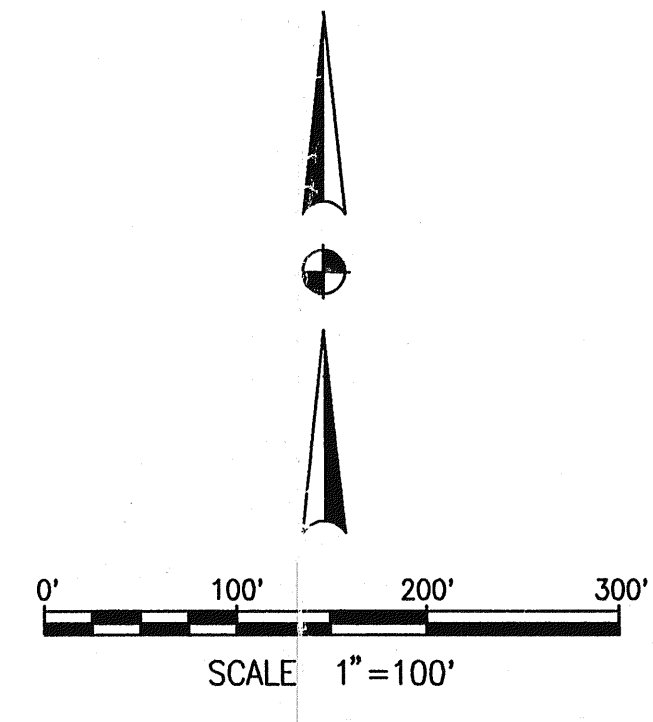
BASIS OF BEARINGS:
 CENTERLINE TRIMBLE ROAD BEARING BEING S 0°33'52" E
 AS SHOWN IN PLAT BOOK VOLUME 26, PAGE 40.

Robert J. McAuley
 ROBERT J. MCAULEY
 RLS 7209

16 Jan 1998
 DATE



NEW SURVEY OF EXISTING PARCEL TAX MAP APPROVED
 INITIAL DATE
 NEW SURVEY OF EXISTING PARCEL TAX MAP APPROVED
 INITIAL DATE



- LEGEND**
- - 5/8" DIA. x 30" REBAR SET WITH PLASTIC CAP STAMPED "RICHLAND ENG. RLS 7209".
 - - SURVEY MARKER FOUND WITH CAP STAMPED "RICHLAND ENGINEERING LIMITED, ROBERT A. CUNNING, RLS 4939".
 - ◆ - RAILROAD SPIKE SET
 - ⊠ - SURVEY MARKER FOUND WITH CAP STAMPED "RICHLAND ENG. RLS 7209".
 - - 1/2" WATER PIPE FOUND

RICHLAND ENGINEERING LIMITED
 MANSFIELD, OHIO

**SURVEY OF
 M.G.H. FOUNDATION PROPERTY**

SITUATED IN THE CITY OF MANSFIELD,
 TOWNSHIP OF MADISON
 COUNTY OF RICHLAND, STATE OF OHIO AND BEING
 A PART OF THE SOUTHEAST QUARTER OF
 SECTION 30, AND THE NORTHEAST QUARTER OF
 SECTION 31, TOWNSHIP 21, RANGE 18.

DESIGNED	DRAWN	TRACED	CHECKED	REVIEWED	DATE