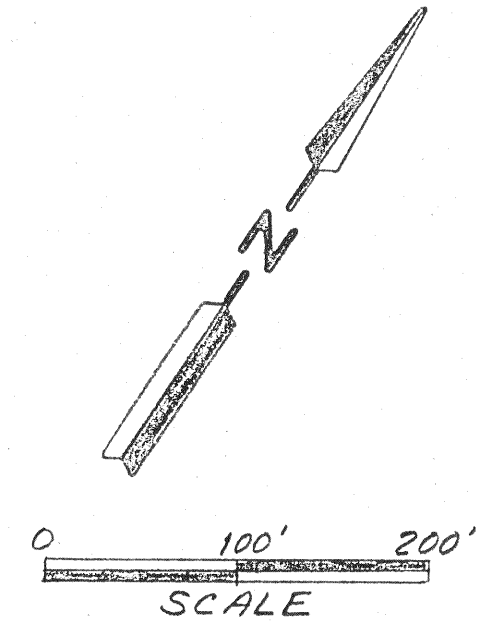
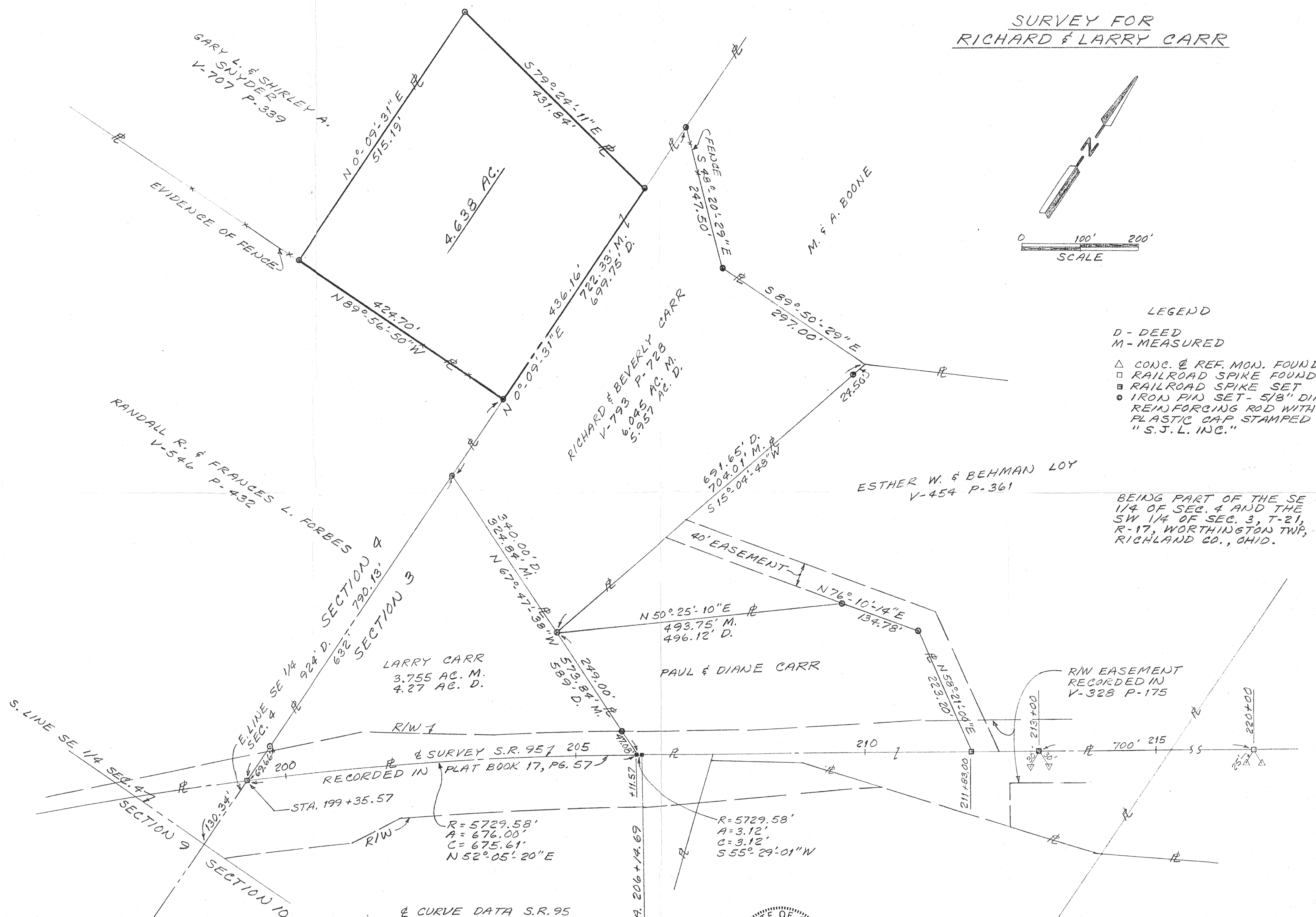


SURVEY FOR  
RICHARD & LARRY CARR

SM 1241



- LEGEND**
- D - DEED
  - M - MEASURED
  - △ CONC. & REF. MON. FOUND
  - RAILROAD SPIKE FOUND
  - RAILROAD SPIKE SET
  - IRON PIN SET - 5/8" DIA.
  - REINFORCING ROD WITH PLASTIC CAP STAMPED "S.J.L. INC."



BEING PART OF THE SE 1/4 OF SEC. 4 AND THE SW 1/4 OF SEC. 3, T-21, R-17, WORTHINGTON TWP, RICHLAND CO., OHIO.

LARRY CARR  
3.755 AC. M.  
4.27 AC. D.

PAUL & DIANE CARR

ESTHER W. & BEHMAN LOY  
V-454 P-361

RICHARD & BEVERLY CARR  
V-793 P-728  
6.045 AC. M.  
5.957 AC. D.

GARY L. & SHIRLEY A. SNYDER  
V-707 P-339

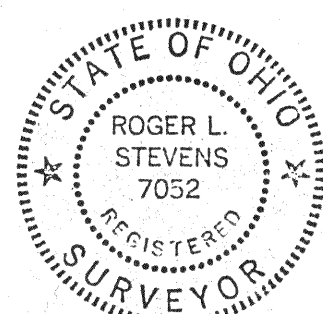
RANDALL R. & FRANCES L. FORBES  
V-546 P-432

& SURVEY S.R. 957 205  
RECORDED IN PLAT BOOK 17, PG. 57

& CURVE DATA S.R. 95  
P.I. STA. 199+72.02  
Δ = 12° 52' RT.  
D<sub>c</sub> = 1°-00'  
T = 648.16'  
L = 1290.83'  
R = 5729.58'

R=5729.58'  
A=3.12'  
C=3.12'  
S 55° 29' 01" W

BEARINGS ARE TO AN ASSUMED MERIDIAN AND ARE USED TO EXPRESS ANGLES ONLY.



*Roger L. Stevens*  
ROGER L. STEVENS  
REG. SURVEYOR # 7052  
SM 1241 DATE 7-29-88

SHAFFER, JOHNSTON, LICHTENWALTER & ASSOCIATES, INC.  
CONSULTING ENGINEERS - SURVEYORS  
MANSFIELD OHIO WOOSTER